



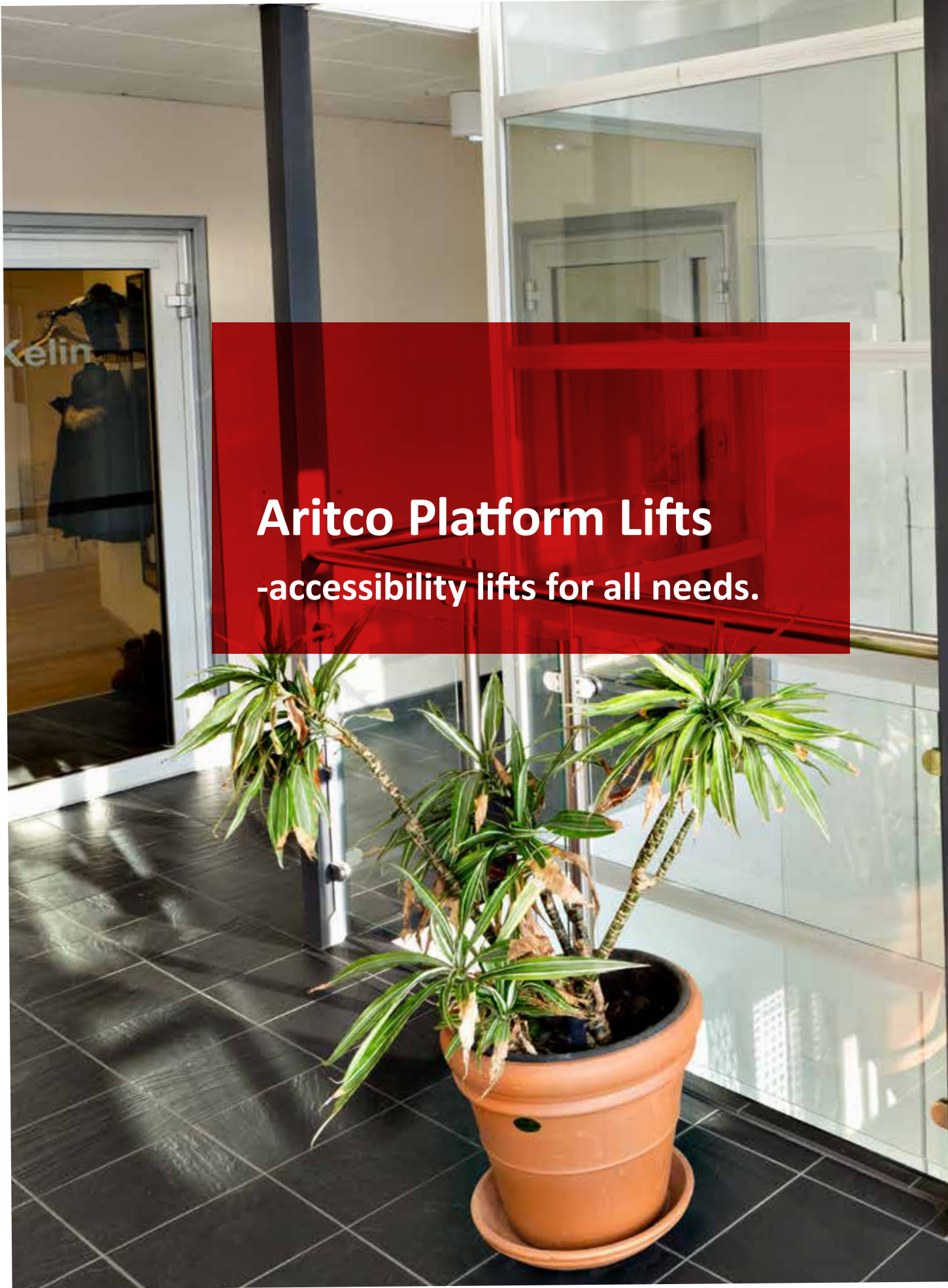
Product catalogue

Aritco Platform Lifts

Aritco 7000, Aritco 9000




2015



Aritco Platform Lifts

-accessibility lifts for all needs.



This catalogue is primarily made for all our partners around the world. The purpose is to show what Aritco can offer in terms of products, options and possible combinations.

Product summary	4
Carrier	6
Landing door	22
Shaft	34
Communication	38
Drive	39
Outdoor execution	40
Flexi	42
Drawings	44
FAQ	54
Features and benefits	57
Order information	58
Overview of the lifts	59

Due to continuous product development, specifications are subject to change without notice. With reservations for misprint and articles out of stock.

Aritco 7000 - our bestselling platform lift

The lift is designed to meet all requirements for quality, safety and service life. It is a perfect fit for tough and demanding environments such as schools, shops and residential buildings.



Aritco 7000	
Technical compliance:	European Machine directive 2006/42/EC European standard EN 81-41
Lift type:	Platform lift
Drive system:	Patented screw/nut system
Rated speed (max):	0,15 m/s
Travel height:	250 -13 000 ¹⁾ mm ¹⁾ Travel height when having a half door is maximum 3 000 mm (inside EU)
Number of stops:	Max. 6 stops per lift
Number of doors:	Max. 6 doors per lift
Number of doors per floor:	Max. 2 doors per floor
Pit:	50 mm (no pit is required when there is a ramp)
Entry:	One, two or three sides
Top height:	Minimum 2240 mm (1100-1600 mm with half height door)
Platform control:	"Hold to run", the destination button must be kept pressed down during the whole ride
Landing control (on door):	One-touch call
Environment:	Indoor/outdoor
Emergency lowering:	Battery operated emergency lowering
Control voltage:	24V
Motor:	2,2kW
Power supply:	1-phase 230V 50 Hz/9 A/16 A slow 3-phase 230V 50 Hz/9 A/16 A slow 3-phase 400V 50 Hz/5.2 A/16 A slow
Rated load:	250, 410 or 500 kg (depending on platform size)

Platform

Aritco 7000 is available in 8 different platform sizes. The rated load depends on the platform size.

Load limits per power supply	400V 3-phase 50Hz	400V 3-phase 60Hz	230V 3-phase 50Hz	230V 3-phase 60Hz	230V 1-phase 50/60Hz
250 kg	•	•	•	•	•
410 kg	•	•	•	•	•
500 kg	•		•		

Platform floor area A/C x B (mm)	Load (kg)
900 x 1040	250
900 x 1280	410
900 x 1480	410, 500
1000 x 1280	410
1000 x 1480	410, 500
1000 x 1980	500
1100 x 1480	410, 500
1100 x 1580	500

Aritco 9000 - our platform lift with cabin

Aritco 9000 is our cabin lift for the accessibility market. The lift is designed to meet all requirements for quality, safety and service. It is a perfect fit for tough and demanding environments such as schools, shops and residential buildings.

Aritco 9000	
Technical compliance:	European Machine directive 2006/42/EC
Lift type:	Cabin lift
Drive system:	Patented screw/nut system
Rated speed (max):	0,15 m/s
Travel height:	2150 ¹⁾ -13 000 mm ¹⁾ Opposite entry: min 2 150 mm Single entry : 2 300 mm for 2000 mm door opening height
Number of stops:	Max. 6 stops per lift
Number of landing doors:	Max. 6 doors per lift
Pit:	75 mm (no pit is required when there is a ramp)
Entry:	Single entry: A, B or C-side Opposite: A and C-side
Top height:	Minimum 2400 mm
Cabin control:	Automatic "one-touch" with cabin doors
Landing control (on door):	One-touch call
Environment:	Indoor
Emergency lowering:	Battery operated emergency lowering
Control voltage:	24V
Motor:	3 kW
Power supply:	3-phase 400V 50 Hz/5.2 A/16 A slow
Rated load:	400 kg

Cabin

Aritco 9000 is available in 2 different cabin sizes (cabin floor area).

Cabin floor area A/C xB (mm)	Max load (kg)	Power supply
1000 x 1400	400	400 V 3-phase
1100 x 1400	400	400 V 3-phase

Frequency 50 or 60 Hz.

Carrier

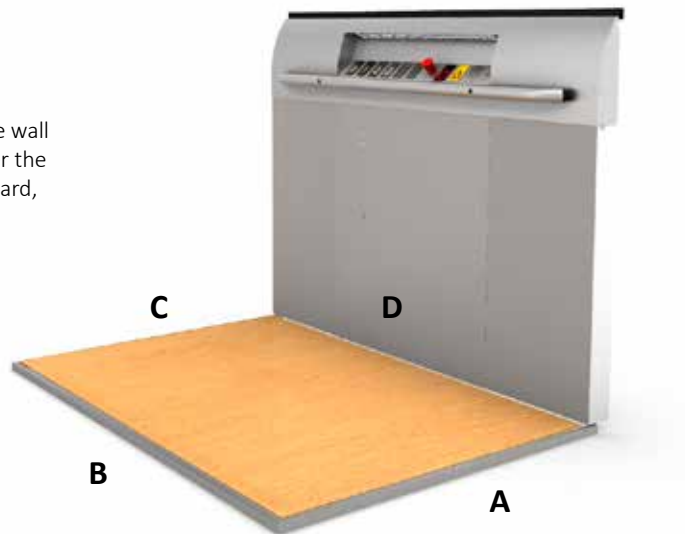
Aritco 7000, Aritco 9000

ARITCO

Platform

Half height wall

The platform is in its basic execution delivered with a side wall (half height) including the destination panel. Panels under the destination panel are painted in RAL 7042 (grey) as standard, but can be painted in any RAL colour as an option. Height 1100 mm.



A,B,C and D-side of platform.



Full height wall

As an option the platform can be delivered with a full height wall (2100 mm high) with a mirror.

The full height wall is in RAL 7042 (grey) as standard, but can be painted in any RAL colour as an option.

The full height wall is available for D-side of 1480 mm, i.e for platform sizes 900x1480 mm, 1000x1480 mm and 1100x1480 mm.

Note also that full height wall is not possible if you have a lower door opening height than 2000 mm or having a half height door.



Fold down seat

In solid birch and with chromed brackets. The seat has to be folded back manually after use.

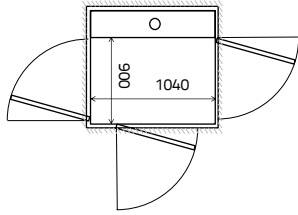
Can be ordered as an option.

Size: 320 x 400 mm

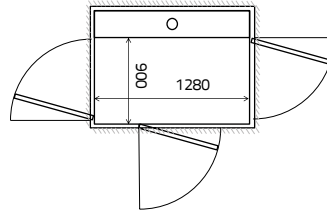
Not available for 900x1040.

Overview Aritco 7000

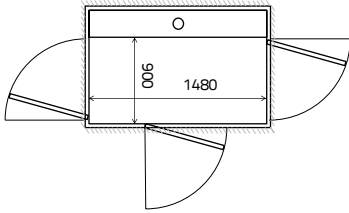
900 x 1040



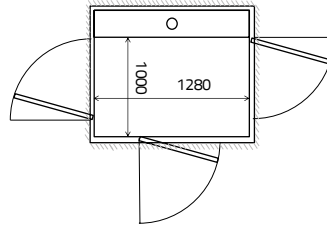
900 x 1280



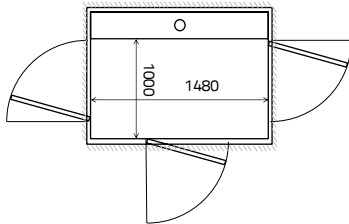
900 x 1480



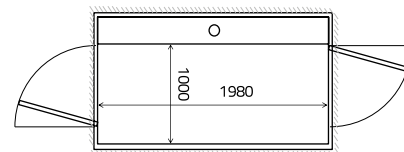
1000 x 1280



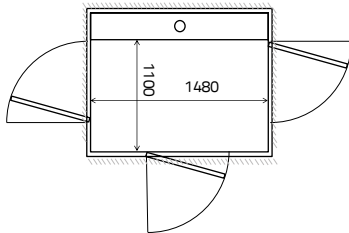
1000 x 1480



1000 x 1980

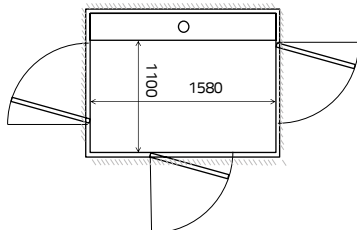


1100 x 1480



For more detailed drawings see page 44.

1100 x 1580





Destination panel

The destination panel is always placed on the machine side (D-side) of the platform. It contains the destination buttons, emergency stop, alarm button, autodialer (option), landing indicator (option), Aritco logo, max weight and number of persons allowed.

All text and logos are screen printed to ensure good quality. The location of the platform buttons and the handrail are according to E81-41.

- Anodized aluminium- standard
- Stainless steel- option

Destination buttons

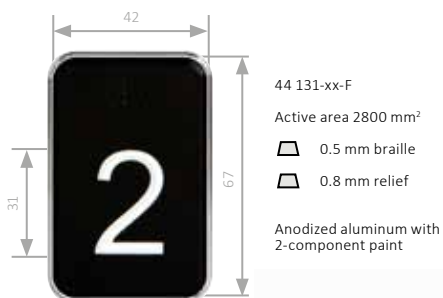
Destination buttons are according to EN 81-41 and EN81-70 for disabled. The location of the buttons are within the limits in the standard, i.e. height between platform floor and the center line of the buttons is between 900-1100 mm.

Standard buttons are engraved with braille. The buttons are of polycarbonate plastic. Following buttons are available: -2, -1, 0, 1, 2, 3, 4, 5, 6, B, BG, BV, G, K, KV, P, U, E. Individual special characters can also be ordered as an option.

Maximum 2 characters per button. These buttons will also be engraved. If a lift is ordered with any button that is not 0, 1, 2, 3 all buttons will be engraved.



Buttons 0, 1, 2, 3 can also be molded with braille. The buttons are of anodized aluminium with 2-component paint. If a lift is ordered with only buttons 0, 1, 2, 3 molded buttons will be delivered.



Handrail

A handrail is mandatory according to EN81-41 and delivered as a standard. Height of handrail is 875 mm from the platform floor. Handrail diameter is 36 mm. The ends of the handrail are closed and turned the platform.

- Anodized aluminium (standard)
- Stainless steel (option)

Faceplate panel

The faceplate panel is painted in grey, anodic color Natura which has an Aluminum look. To prevent any trapping, a safety list is mounted behind the faceplate panel which cuts off the security circuit when pressed down.



Alarm button

A standard alarm button is always delivered with the lift. When it is pressed a buzzer sounds. This is only a signal to the user that the button is pressed. The alarm button may be connected to an external alarm sounder or an autodialer.



External alarm sounder

External alarm sounder mounted outside the lift. It is connected to the alarm button and when the alarm button is pressed the external alarm sounder will give a loud signal outside the lift to attract attention in case of emergency.

Can be ordered as an option.





Light

LED lights are installed over the destination panel.

Remote control for operation of platform

A remote control is connected to the destination buttons on the platform. Instead of pressing the destination button on the platform the button on the remote control can be pressed (hold to run). Remote control with 2 to 6 buttons, with numbers 2-6. One remote control per lift. One receiver per two floors. Can be ordered as an option.



Emergency stop button

Button in "mushroom" type for emergency situations. Is always included as standard.



ASSA



Telemecanique

Key switch on platform

Key switch placed on destination panel. The key switch locks the platform functions and prohibits unauthorized use. One key switch per platform can be provided. The key switch can be serial connected to all destination buttons or the key switch is connected to one destination button.

Two brands to choose from:

- ASSA (Nordic markets only). Aritco only delivers the housing, Aritco does not deliver the locking cylinder.
- Telemecanique

Can be ordered as option.



Landing indicator

Digital display positioned at the destination panel. It shows which floor the lift is on at the moment. The indicator can also be fitted with a voice announcer available in Danish, Dutch, English, Finnish, French, German, Norwegian, Polish, Russian and Swedish. Voice: Basement, Ground floor, Floor 1-6

The landing indicator can also show information from the system.

- Warning if the batteries are low.
- A bell when the alarm button has been pressed.
- Number of starts and total run time since installation or since last reset.
- A weight symbol will appear if the lift is overloaded.
- If connected to the buildings fire alarm a "Fire" symbol will be shown when alarm is activated.

Can be ordered as an option.

Cabin

The cabin is a light weight cabin made of wood and the walls are covered with laminate. The height of the cabin (floor to roof) is 2100 mm.

Destination panel

The destination panel is placed on the machine side (D-side) of the cabin.

Mirror

Mirrors on the machine side (D-side, same side as destination panel) can be ordered as an option. Two mirrors will then be delivered, one on each side of the destination panel. As an option it is also possible to order a mirror on the A or C side (on the opposite side of the door). This will help a wheelchair user who can't turn around to observe obstacles behind them when moving backwards out of the cabin. When a mirror is ordered on A or C side a handrail on this side is mandatory to prevent the mirror to get damaged. The handrail on A or C side is connected to the handrail on the D-side with a bend.

Handrail

As standard the cabin comes with a handrail on the machine side (D-side) in stainless steel. The diameter of the handrail is 32 mm and it is placed/mounted 890 mm above the cabin floor. The handrail has a straight shape and goes along the machine side. It ends with a black plastic plug. Handrail brackets (fixings to the wall) made in brushed stainless steel are delivered with the handrail.

As an option the handrail can be delivered in oak. The handrail in oak has a diameter of 38 mm. The handrail bracket (fixings to the wall) are in stainless steel as when ordering a stainless steel handrail.



Panel for lift information

A plate in stainless steel is placed on the machine side of the lift. On the panel the CE-marking is placed. Extra space is also available for other lift information of your choice.



Bump rail

To protect the cabin from getting damaged when using it for goods bump rails in brushed stainless steel can be ordered as an option. The bump rail is a rectangular tube mounted on the walls where there are no doors/openings in the cabin. The stainless steel bump rail ends with black plastic ends. The size of the bump rails is 20x60 mm. The bump rails can also be delivered in solid oak, 70x20 mm.

Kick plate

Kick plate protecting the bottom part of the cabin. Surface mounted polished stainless steel 100 mm high. Delivered as standard.





Cabin ceiling

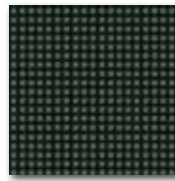
Standard cabin ceiling laminate is white grey (same laminate as used as standard for cabin walls, for all sides except for machine side). The ceiling always comes with four white LED spotlights (each LED with 3x1W, warm white). The LEDs comes with a dimmer (placed on roof) which allows you to set the brightness of the LED lights.

Emergency light (Diod, 1 W, white) is also installed in the cabin roof as standard. The emergency lights is only lit when there is a power failure. Illuminates the cabin panel.

Cabin walls

Standard wall laminate for machine side is black with small embossed dots. For the other walls, where there are no doors standard laminate is white grey. As an option you can chose from a range of different laminates in different colours. Choose the same colour for all cabin walls or choose one colour for the machine side and another colour for the remaining walls. Not valid for option Stainless steel plates 1 mm.

Standard for machine side:



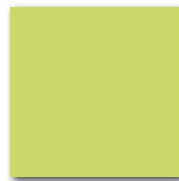
Black embossed dots

Standard for other sides than machin side:



White grey

Options:



Light green



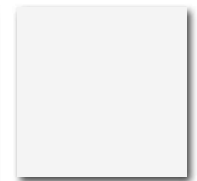
Orange



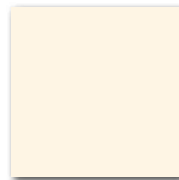
Red



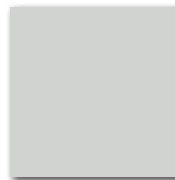
Purple



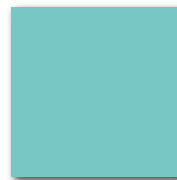
White grey



White beige



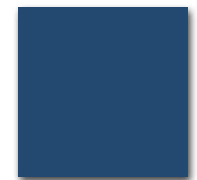
Grey



Turquoise



Blue



Navy blue



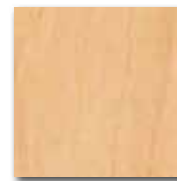
Light grey city plan pattern



Dark grey city plan pattern



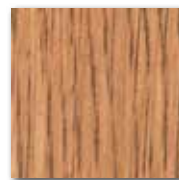
White stained wood



Birch



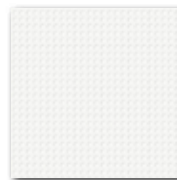
Light oak



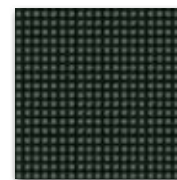
Oak



Walnut



White embossed dots



Black embossed dots



Stainless steel metal foil (polished appearance)



Silver (looks like polished steel)



Stainless steel plates 1 mm

Destination panel

The destination panel is placed on the machine side (D-side) of the cabin. It contains the destination buttons, alarm button, autodialer (option), landing indicator (option), door "re-open" button, door close button, Aritco logo, max weight and number of persons allowed. The cabin panel is made of stainless steel.

Destination buttons

Destination buttons are according to EN81-70 and EN81-41 for disabled. The locations of the buttons are within the limits in the standard, i.e. height between cabin floor and the center line of the buttons is within 1000-1200 mm.

Buttons are square 28x28 mm. It is a stainless steel touch plate with black background and signs in stainless steel. Signs and braille are embossing (brightened). Height of signs is 15 mm. The button comes with a background lit frame which indicates if the destination button is pressed.

Following buttons are available: -2, -1, 0, 1, 2, 3, 4, 5, 6, B, G, K, P, U, E.



"Re-open button" and "door close buttons"

"Re-open button" and "door close button" according to EN81-70 are included as standard.

Re-open button: identified by the symbol < | >

Close button : identified by the symbol > | <





Remote control for operation of carrier

A remote control is connected to the destination buttons on the platform. Instead of pressing the destination button on the platform the button on the remote control can be pressed (hold to run).

Remote control with 2 to 6 buttons, with numbers 2-6.
One remote control per lift. One receiver per two floors.
Can be ordered as an option.



External alarm sounder

External alarm sounder mounted outside the lift. It is connected to the alarm button and when the alarm button is pressed the external alarm sounder will give a loud signal outside the lift to attract attention in case of emergency.

Can be ordered as an option.



Alarm button

A standard alarm button is always delivered with the lift. When it is pressed a buzzer sounds. This is only a signal to the user that the button is pressed. The alarm button may be connected to an external alarm sounder or an autodialer.



Landing indicator

Digital display positioned at the destination panel. It shows which floor the lift is on at the moment. The indicator can also be fitted with a voice announcer available in Danish, Dutch, English, Finnish, French, German, Norwegian, Polish, Russian and Swedish.
Voice: Basement, Ground floor, Floor 1-6

The landing indicator can also show information from the system.

- Warning if the batteries are low.
- A bell when the alarm button has been pressed.
- Number of starts and total run time since installation or since last reset.
- A weight symbol will appear if the lift is overloaded.
- If connected to the buildings fire alarm a "Fire" symbol will be shown when alarm is activated.

Can be ordered as an option.



ASSA



Telemecanique

Key switch on carrier

Key switch placed on destination panel. The key switch locks the platform functions and prohibits unauthorized use. One key switch per platform can be provided. The key switch can be serial connected to all destination buttons or the key switch is connected to one destination button.

Two brands to choose from:

- ASSA (Nordic markets only). Aritco only delivers the housing, Aritco does not deliver the locking cylinder.
- Telemecanique

Can be ordered as option.

Carrier - Aritco 9000

Cabin doors

The cabin will be delivered with cabin doors. The cabin doors will be automatic folding doors, bus-type. Doors can be installed on A, B or C side or both A and C side.

Landing doors (installed in shaft) will always have door opening width 900 mm, independently of which side of the shaft the door is installed. The standard opening height of the landing door is 2000 mm. As option landing doors can be delivered with opening height 1800 and 1900 mm.

The opening height of the cabin folding door is always 2000 mm (independently of the landing door opening height). The door width of the cabin folding door depends on which side of the cabin the door is installed and on the size of the cabin. For A- and C-side 1100 mm and B-side 1400 mm the folding door is 950 mm wide. The cabin folding door is made a little bit wider than the landing door, that is 900 mm wide. This is to reduce the risk of having the folding door damaged. On A/C side of the 1000 mm cabin there is no place to make the cabin door wider than 900 mm.

There are two options to choose from:

- Vision panel – steel door with small vision panels
- Aluminum profile - aluminum door with big vision panels

	A/C side		B-side
Cabin size (mm)	1000	1100	1400
Cabin folding door width (mm)	900	950	950
Landing door width (mm)	900	900	900



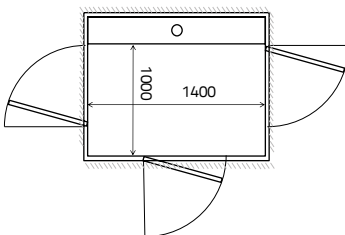
Aluminum profile



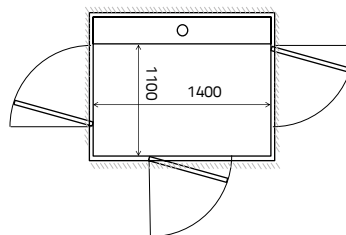
Vision panel

Overview Aritco 9000

1000x1400



1100x1400



For more detailed drawings see page 52.



Cabin entry

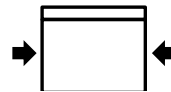
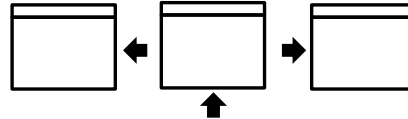
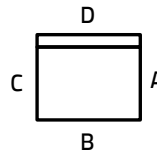
Aritco 9000 can be delivered with single entry or opposite entry.

Single entry: with one cabin door and all landing doors on the same side of the shaft;

- A – side or,
- B – side or,
- C – side

Opposite entry: with two cabin doors and landing doors on two sides of the shaft;

- A and C - side



Roof height on bottom floor and service hatch

For cabins with opposite entry (landing door and cabin door on both A and C side) the following is valid:

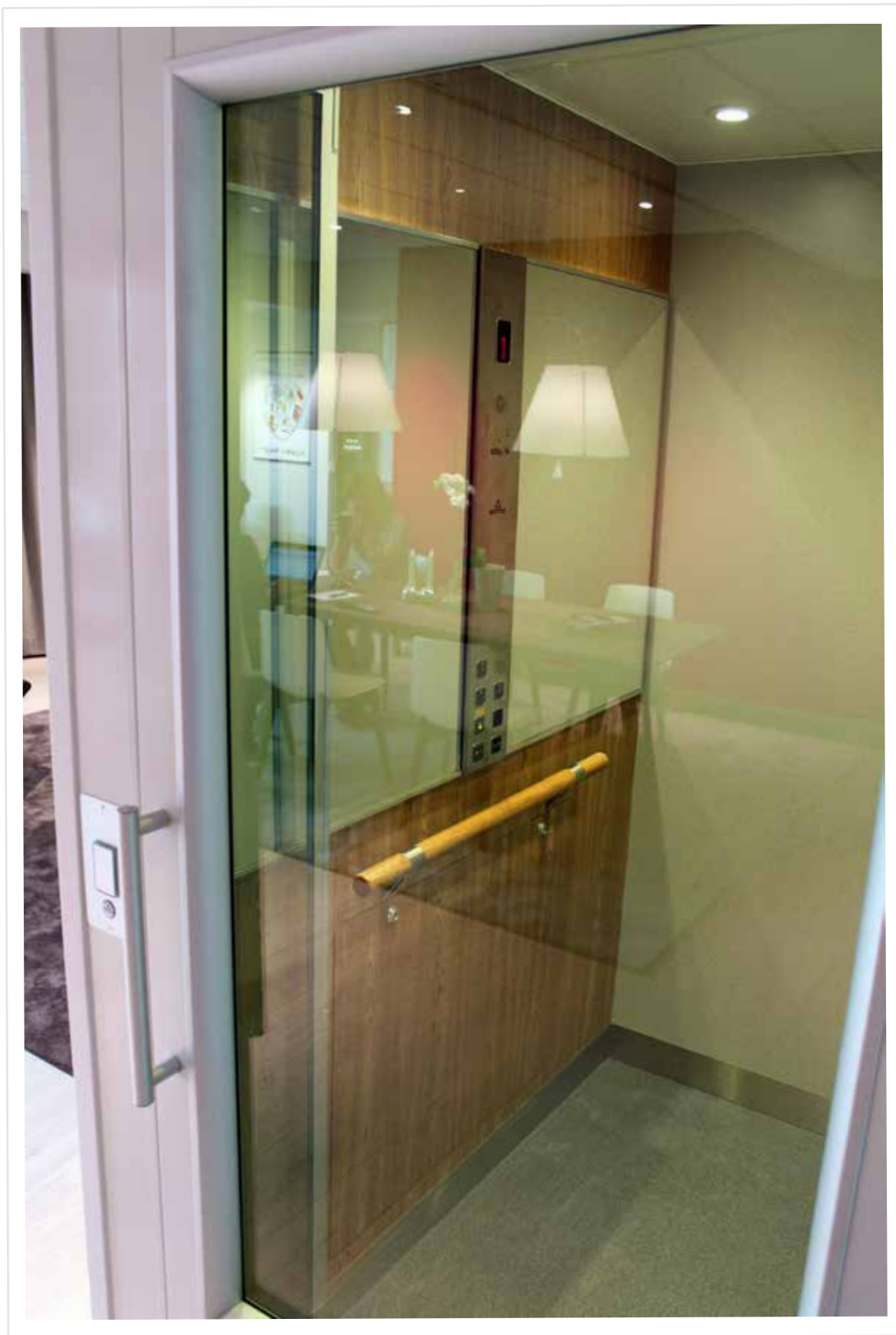
- For sides where you have only one landing door and the landing door is placed on the bottom floor, a service hatch is mandatory over the landing door so that you can reach the door machinery on the cabin door. This service hatch is placed on top of the landing door frame, which leads to that the minimum floor height on the bottom floor is 2532 mm (without a pit) and 2457 mm (with a pit). On other floors than the bottom floor there will be no need for a service hatch. Note that on these lifts it is not possible to have a fire proof door, EI60 door, on sides where you only have one door and this door is placed on the bottom floor. This is since the service hatch is not fire proof.
- For sides where you have more than one landing door there will be no need for a service hatch, since the door machinery of the cabin door can be reached from above landing door.

Travel height

Travel height: 2 150*-13 000 mm.

Minimum travel height:

- *2 150 mm when not having landing doors on the same side. E.g. When having opposite entry A and C side. The minimum travel height is due to the fact that you need to get up on the cabin roof to make service.
- *2300 mm when having landing doors on the same side. E.g. when having two doors on the same side; A, B or C side. Due to the height of the door frame and threshold on the landing doors.





Flooring

Choose between the following options for vinyl, rubber and aluminum floorings:

Standard:



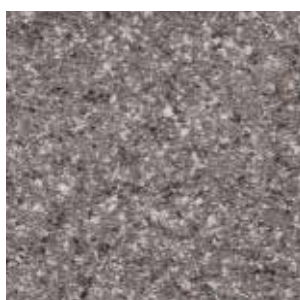
Beige
Vinyl



Blue
Vinyl



Sand
Vinyl



Grey
Vinyl



European oak
Vinyl



Classic Beech
Vinyl

Option:



Checker Stud – Blue
Rubber



Checker Stud – Black
Rubber



Aluminum*

*Aluminum flooring is not available for Aritco 7000 platform 900x1040 mm or for Aritco 9000.





News. New door profiles possible to paint in any RAL-colour.



Landing door
Aritco 7000, Aritco 9000

General information

The landing doors installed at each landing are made of toughened galvanized steel and laminated and toughened glass, 8 mm thick. All doors are painted in RAL 9003 (Aritco white) but can be painted in any RAL colour as an option. The door frame and door blade can be painted in same colour or the frame in one colour and the blade in another colour. For the same lift all doors must be painted in the same colour. A glassed area according to EN81-41 is standard for all doors. Standard is with clear glass (JT0). Optional is to have tinted (JT16), dark tinted (JT5) or frosted glass (JT23). The profiles around the glass are made of aluminium. The profiles can be painted in any RAL colour. If the door blade is in RAL 9003 (Aritco white) the profiles can be painted in the same colour as an option. If the door blade is painted in another RAL colour, the profiles will be in aluminium as standard, but can be painted in the same RAL colour as the door blade as an option. Note that aluminium profiles are standard and that painted profiles are an option. All doors can be left- or right hinged. Doors are always delivered with door frame. It is not possible to order the door or the frame separately.

Large glass door

Large glass door with one glass window.

Opening widths:

- Aritco 7000: 800, 900, 1000 mm
- Aritco 9000: 900 mm

Opening heights:

- Aritco 7000: 1800, 1900, 2000, 2100 mm
 - Aritco 9000: 1800, 1900, 2000 mm
- The actual height of the door is 40 mm higher since a plate that covers the joint between the door and the frame is mounted on the door.

Glass window (vision):

- Aritco 7000: 612x1472 mm (800 mm wide door)
712x1472 mm (900 mm wide door)
812x1472 mm (1000 mm wide door)
- Aritco 9000: 712x1472 mm (900 mm wide door)

Standard:

- Door blade and door frame in RAL 9003 (Aritco white)
- Glass window: clear glass (JT0)

Options:

- Door blade and /or door frame in other RAL colour
- Glass window: tinted (JT16), dark tinted (JT5), frosted (JT23)

Aritco 7000:

Door opening width (mm)	Door opening height (mm)	Available for B-side (mm)	Available for A/C side (mm)
800	1800 ¹⁾ /1900/2000	1040	900
900	1800 ¹⁾ /1900/2000/2100	1280/1480/1580	1000/1100
1000 ¹⁾	2000/2100	1280/1480/1580	1100

¹⁾ Not available for outdoor lifts.

Aritco 9000:

Door opening width (mm)	Door opening height (mm)	Available for B-side (mm)	Available for A/C side (mm)
900	1800 ¹⁾ /1900 ¹⁾ /2000	1400	1000/1100

¹⁾ Note that when having a landing door with door opening height of 1800 or 1900 mm, the cabin door opening height is still 2000 mm.



Landing door - Aritco 7000 and Aritco 9000



El60 – Fire & smoke proof door

El60 – Fire & smoke proof door complies with the lift directive 95/16/EC and EN 81-58. As standard the El60 door is delivered with a frame.

Opening width:

- Aritco 7000: 800, 900, 1000 mm
- Aritco 9000: 900 mm

Opening height:

- Aritco 7000: 1900, 2000, 2100 mm
- Aritco 9000: 1900, 2000 mm

The actual height of the door is 20 mm higher since a plate that covers the joint between the door and the frame is mounted on the door.

Installation: For indoor and outdoor lifts. Not in combination with half height door.

Standard:

- Door blade and door frame in RAL 9003 (Aritco white)
- Glass window: clear glass (JTO)

Options:

- Door blade and /or door frame in other RAL colour

Note that for Aritco 9000 it is not possible to have a fire door, El60 door, on sides where you have only one door and this door is placed on the bottom floor. This is since the service hatch is not fire proof.



Aritco 7000:

Door opening width (mm)	Door opening height (mm)	Available for B-side (mm)	Available for A/C side (mm)
800	1900/2000/2100	1040	900
900	1900/2000/2100	1280/1480/1580	1000/1100
1000	2000/2100	1280/1480	1100

Aritco 9000:

Door opening width (mm)	Door opening height (mm)	Available for B-side (mm)	Available for A/C side (mm)
900	1900 ¹⁾ /2000	1400	1000/1100

¹⁾ Note that when having a landing door with door opening height of 1900 mm, the cabin door opening height is still 2000 mm.

E160 – Fire & smoke proof door frame

A door frame is always delivered with the door. The size of the frame depends on platform or cabin size and the door opening width and height. The height of the frame is always 220 mm higher than the door opening height.

Aritco 7000:

Door opening height (mm)	Frame height (mm)
1900	2120
2000	2220
2100	2320

A/C-side

Platform side (mm)	Frame size (mm)
900	1060
1000	1160
1100	1260

B-side

Platform side (mm)	Frame size (mm)
1040	1060
1280	1300
1480	1500
1580	1600

For B-side 1980 mm fire doors are not available.

Aritco 9000:

Door opening height (mm)	Frame height (mm)
1900	2120
2000	2220

A/C-side

Cabin side (mm)	Frame size (mm)
1000	1160
1100	1260

B-side

Cabin side (mm)	Frame size (mm)
1400	1500

Widening panel for A and C side - Aritco 7000

As an option a widening panel for the A- and C -side can be ordered to cover the machine side part. The widening panel is available with or without a hatch for the electrical cabinet. The widening panel is available for door opening height 1900, 2000 and 2100 mm and has the same height as the door frame.



Half height door with glass

Half height door with one glass window. If you require an open shaft or if the head space is low, the use of a half height door may be a good solution. According to EN81-41 the half height door is only allowed for lifts with a travel height up to 3 meters (within EU). The half height door can not be combined with EI60 fire & smoke proof doors.

Opening widths : 800, 900 mm
Opening heights: 1100-1600 mm
Glass windows: 612x670 mm (800 mm wide door)
 (vision) 712x670 mm (900 mm wide door)

Installation: Not for outdoor lifts

Standard:

- Door blade and door frame in RAL 9003 (Aritco white)
- Glass window: clear glass (JT0)

Options:

- Door blade and /or door frame in other RAL colour
- Glass window: tinted (JT16), dark tinted (JT5), frosted (JT23)

Note that when using a half height door 1100-1600 mm the shaft and the half height door will end at the same height. It is not possible to have a higher shaft than the half door.

Door opening width (mm)	Door opening height (mm)	Available for B-side (mm)	Available for A/C-side (mm)
800	1100/1101-1600 ¹⁾	1040	900
900	1100/1101-1600 ¹⁾	1280/1480	1000/1100

¹⁾ Custom height

A half height door can be used in the following cases:

- *1100 mm high half height door:* When you have an open shaft and a top height of 1100 mm (even shaft).
- *1101-1600 mm high half height door:* When you have a low travel height with a standard door on the bottom floor and a custom height half height door is needed to get an even shaft (see page 27 for details).
 When you have a higher travel height, but a standard door on second top floor and a custom height half door is needed to get an even shaft.
- It is not possible to have a lower half height door than the top height of the shaft – this means that you can't have a 1100 mm height door on a lift with shaft height of for example 1400 mm.
- Note that it is not possible to have two half height doors on the same lift.

When using a customed height half door, consider the following criteria regarding travel height. Note that the travel height is depending on if the lift is installed with or without a pit.



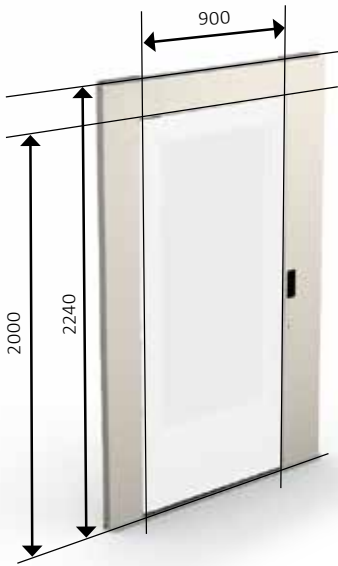
For large glass door, double glass door and double hinged glass door.

Door opening height (mm) ¹⁾	Travel height when a ramp on first level (mm)	Travel height with a pit on first level (mm)
1800	490 – 990	440 – 940
1900	590 – 1090	540 – 1040
2000	690 – 1190	640 – 1140
2100	790 – 1290	740 – 1240

¹⁾ The height of the frame is always 240 mm higher than the door opening height.



Landing door - Aritco 7000 and Aritco 9000



Example with door opening height 2000 mm.

Door frame

A door frame is always delivered with the door. The size of the frame depends on the platform/cabin size and the door opening width and height.

The height of the frame is always 240 mm higher than the door opening height.

Door opening height

The actual height of the door is 40 mm higher since a plate that covers the joint between the door and the frame is mounted on the door. For door opening height 2000 mm the actual door height is 2040 mm.



Example with door opening height 2000 mm.

Frame size:

Aritco 7000:

Door opening height (mm)	Frame height (mm)
1800	2040
1900	2140
2000	2240
2100	2340

A/C-side

Platform side (mm)	Frame size (mm)
900	1060
1000	1160
1100	1260

B-side

Platform side (mm)	Frame size (mm)
1040	1060
1280	1300
1480	1500
1580	1600

Aritco 9000:

Door opening height (mm)	Frame height (mm)
1800	2040
1900	2140
2000	2240

A/C-side

Cabin side (mm)	Frame size (mm)
1000	1160
1100	1260

B-side

Cabin side (mm)	Frame size (mm)
1000	1160
1100	1260

Displacement of door on B-side

If it is not possible to fit the door on the B-side in the standard location, it is possible to place the door to the left or to the right. This is only possible for doors with door opening width 900 and 1000 and for doors on B-side; 1280, 1480 and 1580 mm. Large glass doors and half height doors for indoor installations can be displaced. It is not possible to displace EI60 fire & smoke proof doors or double hinged glass doors or for outdoor lifts.

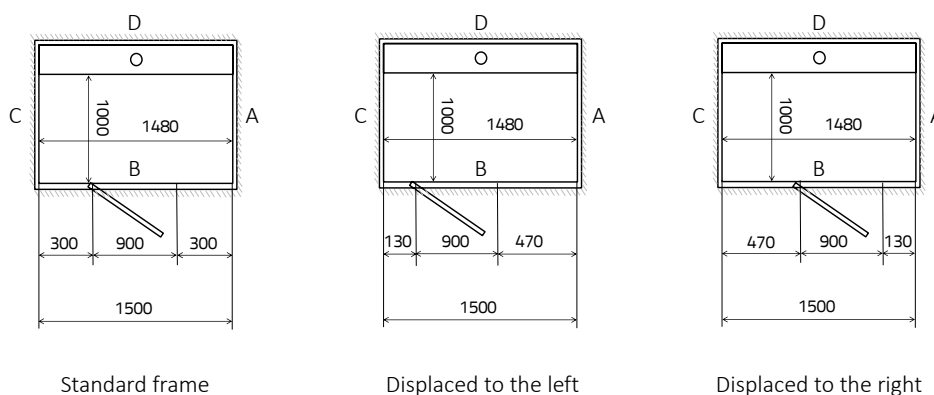
Door opening 900 mm.

Platform size on B-side (mm)	Frame size (mm)	Standard frame (mm)	Displaced to the left (mm)	Displaced to the right (mm)
		Left / Right side of door	Left / Right side of door	Left / Right side of door
1280	1300	200 / 200	130 / 270	270 / 130
1480	1500	300 / 300	130 / 470	470 / 130
1580	1600	350 / 350	130 / 570	570 / 130

Door opening 1000 mm.

Platform size on B-side (mm)	Frame size (mm)	Standard frame (mm)	Displaced to the left (mm)	Displaced to the right (mm)
		Left / Right side of door	Left / Right side of door	Left / Right side of door
1280	1300	150 / 150	130 / 170	170 / 130
1480	1500	250 / 250	130 / 370	370 / 130
1580	1600	300 / 300	130 / 470	470 / 130

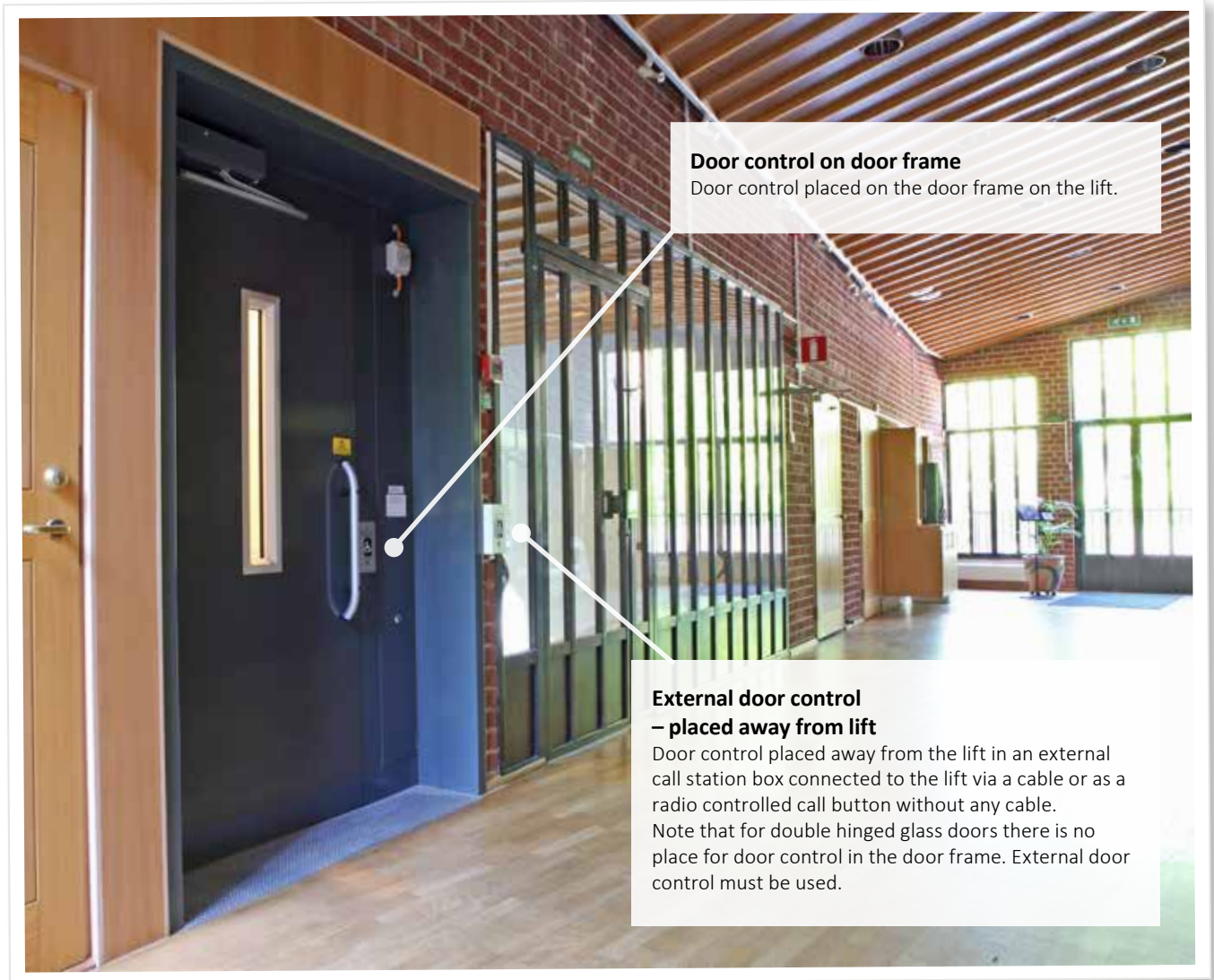
Examples of possible displacement of door on B-side (door opening 900 mm , platform size on B-side 1480 mm, frame 1500 mm) :



Landing door - Aritco 7000 and Aritco 9000

Door control

The door control is either placed on the door frame of each landing door and/or placed away from the lift as an external control.



Door faceplate

The door faceplate can be placed directly on the door frame or externally in an external call station box. The door faceplate is in standard painted in grey, anodic color Natura which has an Aluminum look. As an option it can be delivered in stainless steel.

The door faceplate can hold:

- Call button
- Key switch Telemecanique/School locking
- Key switch prepared for Assa/School locking
- Key switch prepared for EUR/School locking
- Call button and key switch with Telemecanique/School locking
- Call button and key switch prepared for ASSA/School locking
- Call button and key switch prepared for EUR/School locking
- Call button and sensor - with remote control





Call button

The call button comes with a background lit frame which indicates the status of the lift.

- Green light indicates that the lift is at your floor. Lit only on the floor where the platform is at the moment.
- Red light indicates that the lift is occupied. It is busy and you can't call for it.
- The flashing light indicates that the security circuit is broken, e.g. that the emergency button is pressed, the door is open on another floor for more than one minute, the door is blocked or the safety frame is pressed down. The flashing light can also be activated by a sum alarm, more information is then available in the service memory.

The same call button is used when the door control is placed on the door frame, externally or as a radio controlled call button.



Radio controlled call button

The radio controlled button, placed in a white plastic box, gives the customer the freedom to place the call button wherever they would like within 10 meters from the lift. The radio controlled call button runs on batteries and provides remote controlled access to the lift. The radio controlled call button doesn't indicate the status of the lift.

Can be ordered as an option.



ASSA



EUR



Telemecanique

Key switch / School locking

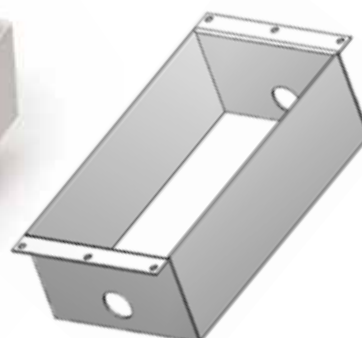
Instead of having a normal call button on the door faceplate you can have a key switch. You then need to have the key to be able to call for the lift and to access the lift.

Includes school locking function which automatically locks the door 10 seconds after it is closed.

Two brands to choose from:

- ASSA (Nordic markets only). Aritco only delivers the housing, Aritco does not deliver the locking cylinder.
- EUR. Aritco only delivers the housing, Aritco does not deliver the locking cylinder.
- Telemecanique

Aritco can provide one key switch per door.



External call station box

The door faceplate can be placed away from the lift and will then be placed in an external call station box. The colour of the external call station box is RAL 9003 (Aritco white). The box can either be mounted exterior on a wall (wall mounted) or in the wall so that you only see the door faceplate (flush mounted). The length of the cable delivered with the external call station box is 1,5 m as standard. As an option a 10 m long cable can be ordered.

Size flush mount: 82x150x50 mm

Size wall mount: 95x185x50 mm

Landing door - Aritco 7000 and Aritco 9000

Door machinery

The landing doors are always delivered with either a door opener or a door closer. Depending on the door type you can either have it mounted internally (in the door frame so that you can't see it from the outside) or externally (in a box visible from the outside).

Door opener: Opens and closes the door automatically. Door open time and the opening speed are adjustable.

Door closer: Door is opened manually. The door is closed automatically after a preset time.

All openers and closers are available for both left and right hinged doors.

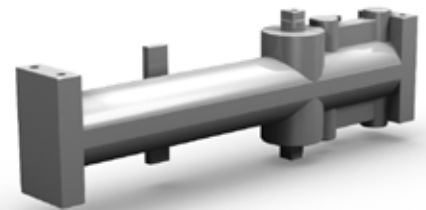
When having two doors on the same landing, both doors will be opened at the same time when having door openers.

Door type	Internal door closer	External door closer	External door opener
Large glass door Standard	•	•	•
Half height glass door	•		•
EI60 – fire & smoke proof door	•		•
Outdoor lifts	•	•	•



External door opener

Opens and closes the door automatically after a preset time. Can be ordered as option. Cover and sides painted in RAL 9003 (Aritco white) as standard. If the door blade is painted in another color, the cover will be painted in the same color. The sides will still be in Aritco white.



Internal door closer

Closes the door automatically after a preset time. It is built into the door frame and is invisible from the outside. Includes function to keep door open until the user manually closes the door. Standard for all doors except large glass doors with 50 mm frametop.



Hold open arm

Keeps the door open until the user manually closes the door. Can be combined with external door closer only. Can be ordered as an option.



External door closer

Closes the door automatically after a preset time. Can be ordered as an option.



Landing indicator on door

Digital display positioned at the door frame. It shows which floor the lift is on at the moment.

The landing indicator can also show following system information:

- Warning if the lift batteries are low.
- A bell when the alarm button has been pressed.
- Number of starts and total run time since installation or since last reset.
- A weight symbol will appear if the lift is overloaded.
- If connected to the buildings fire alarm a "Fire" symbol will be shown when alarm is activated.



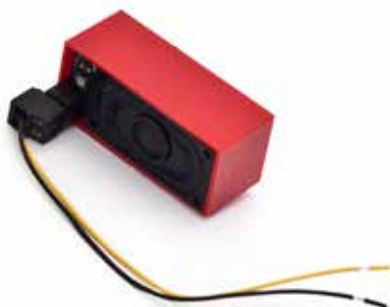
Ramp

If the lift is installed without a pit a ramp is mandatory according to EN81.41.

The ramp is made of galvanized steel covered with corrugated aluminum to prevent slipping. The vertical rise of the ramp is less than 1:4. The ramp can be ordered as an option for lifts installed without a pit.

Ramp dimensions for Aritco 7000: Height 50 mm, width 420 mm, length 1160 mm.

Ramp dimensions for Aritco 9000: 75 mm height.



Arrival gong

The arrival gong gives an audible signal (ding dong) when the platform arrives at each landing. It is placed in the door frame on each landing.

Can be ordered as an option.



Door handle

Door handle with a diameter of 30 mm is delivered as standard to all doors (except for double hinged glass doors, where no door handle is needed). The ends of the handrail are closed and turned towards the door blade.

- Anodized aluminum (standard)
- Stainless steel (option)

Cover plate

If the door control is placed externally and not on the door frame a cover plate that covers the hole in the door frame is delivered with the lift. The cover plate is always delivered with the lift in the same colour as the door frame. Standard colour is RAL 9003 (Aritco white).



News. New shaft profiles possible to paint in any RAL colour.

Shaft

Aritco 7000, Aritco 9000

Shaft

The lift is always delivered with a self supporting shaft. The lift always comes with cladding panels on the inside of the shaft on the machine side. If the lift is not installed against a wall, machine side cladding can be added on the outside of the lift to cover the machine side. For all sides except for the machine side you can choose to have shaft panels in steel or glass.

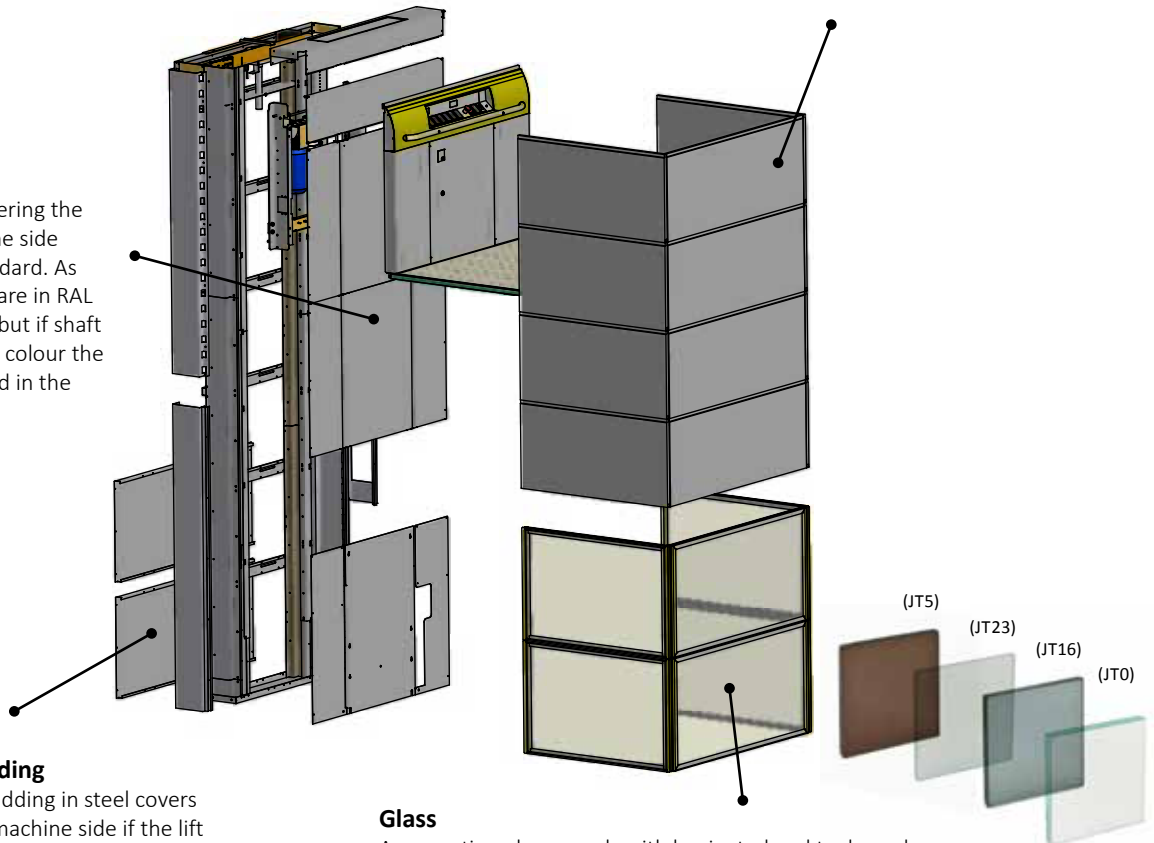
The top height of the shaft for Aritco 7000 is not fixed. When having a standard door on the top floor, the minimum top height depends on the door opening height and the frame height. For a door opening height of 2000 mm the standard frame height is 2 240 mm, which is the lowest top height. Higher top height can be ordered.

Shaft panels

Standard is 25 mm thick shaft panels with EPS (polystyrene) core and steel plates. The panels are painted in RAL 9003 (Aritco white) as standard. If the shaft is painted in another colour the shaft panels will be painted in the same colour and the shaft panels will have a rock-wool core. The height of the shaft panel is 575 mm.

Cladding panels

Cladding panels covering the inside of the machine side are delivered as standard. As standard the panels are in RAL 9003 (Aritco white), but if shaft is painted in another colour the panels will be painted in the same colour.



Machine side cladding

The machine side cladding in steel covers the backside of the machine side if the lift is not mounted against a wall. The machine side cladding can be ordered as an option and can run from bottom to top height. It can also be ordered partly if the lift is partly mounted to a wall. The cladding is painted in same colour as shaft panels. Size: Travel height plus top height.

Shaft inner ceiling

For a closed shaft you can add a shaft inner ceiling as an option. The inner ceiling is painted in RAL 9003 (Aritco white) as standard, but will be painted in the same colour as the shaft if the shaft is painted in another colour. Choose between the following options, which complies with LUX regulations:

- LED lights or with fluorescent lamp
- Fluorescent lamp (not for 900x1040 mm platform)

Glass

As an option glass panels with laminated and toughened glass can be ordered. Standard is clear glass (JT0). Option with tinted (JT16), dark tinted (JT5) or frosted (JT23) glass. The glass panels are 8 or 10 mm thick depending on the size of the glass. Glasses which are higher than 1000 mm is always 10 mm. The glasses are fitted in aluminium profiles. These profiles are in aluminium as standard, but can be painted in a RAL colour as an option. For a shaft painted in the RAL 9003 (Aritco white) the profiles can be painted in the same colour. For a shaft painted in another RAL colour the profiles are as standard aluminium. As an option the profiles can be painted in the same RAL colour. Note that this has to be ordered separately.

Shaft panels / glass with aluminium profile:

Height (mm)	Clear glass (JT0)	Dark tinted glass (JT5)	Tinted glass (JT16)	Frosted glass (JT23)
736	•	•	•	•
1472	•	•	•	•
2208	•	•	•	•
Customized ¹⁾	•	•	•	•

¹⁾ Additional cost per mm. Maximum height per glass panel is 2500 mm

Shaft - Aritco 9000

Shaft

The lift is always delivered with a self supporting shaft. The lift always comes with side cladding panels on the inside of the shaft on the machine side. For all sides except for the machine side you can choose to have shaft panels in steel or glass. The top height of the shaft for Aritco 9000 is not fixed. The minimum top height is 2400 mm, which is the lowest top height. Higher top height can be ordered.

Cladding panels

Side cladding panels, for the inside of the machine side are delivered as standard. Middle cladding panels are not available, since there is no space for them. That means that you will see the screw from outside the shaft. This is especially the case when having a glass shaft, but the screw can also be seen through the glass in the landing doors. The screw is thus not visible from inside the cabin. As standard the panels are in RAL 9003 (Aritco white), but if shaft is painted in another colour the panels will be painted in the same colour.

Machine side cladding

The machine side cladding in steel covers the backside of the machine side. The machine side cladding can be ordered as an option and can run from bottom to top height. It can also be ordered partly if the lift is partly mounted to a wall. The cladding is painted in the same colour as the shaft panels. Size: Travel height plus top height.

Glass

As an option glass panels with laminated and toughened glass can be ordered. Standard is clear glass (JT0). Option with tinted (JT16), dark tinted (JT5) or frosted (JT23) glass. The glass panels are 8 or 10 mm thick depending on the size of the glass. Glasses which are higher than 1000 mm is always 10 mm. The glasses are fitted in aluminium profiles. These profiles are in aluminium as standard, but can be painted in a RAL colour as an option. For a shaft painted in the RAL 9003 (Aritco white) the profiles can be painted in the same colour. For a shaft painted in another RAL colour the profiles are as standard aluminium. As an option the profiles can be painted in the same RAL colour. Note that this has to be ordered separately.

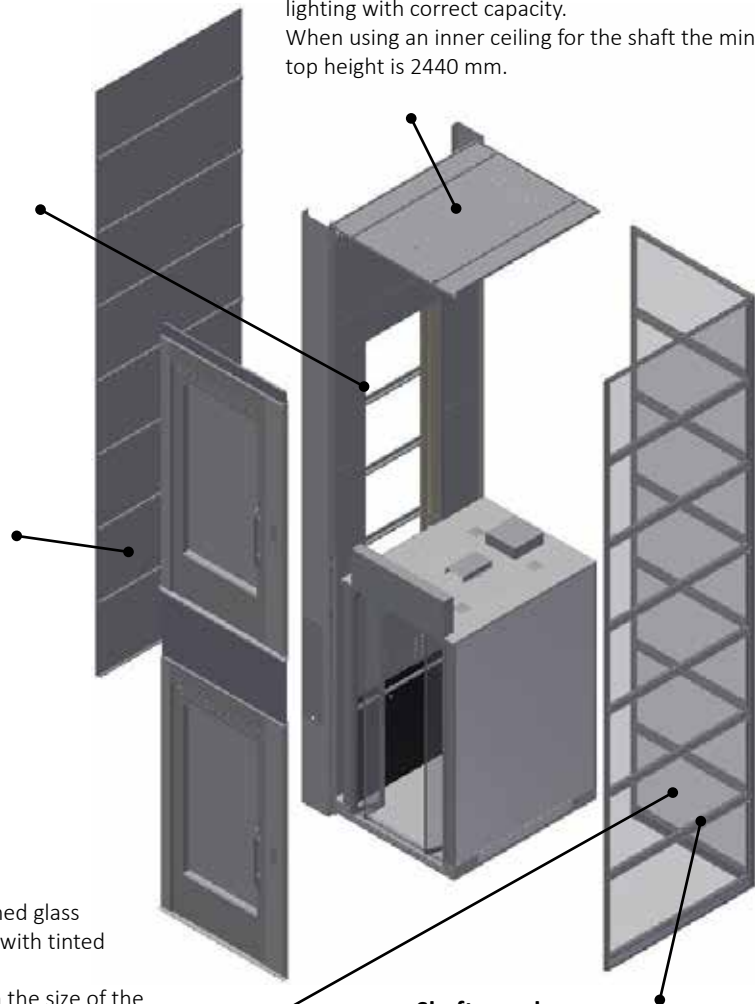
Shaft panels / glass with aluminium profile:

Height (mm)	Clear glass (JT0)	Dark tinted glass (JT5)	Tinted glass (JT16)	Frosted glass (JT23)
736	●	●	●	●
1472	●	●	●	●
2208	●	●	●	●
Customized ¹⁾	●	●	●	●

¹⁾ Additional cost per mm. Maximum height per glass panel is 2500 mm

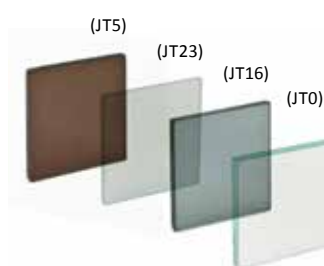
Inner ceiling

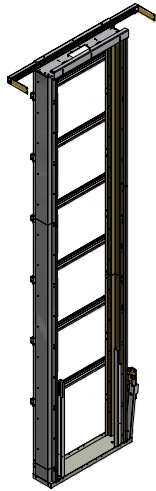
To have a closed shaft you can add an inner ceiling as an option. The inner ceiling is painted in RAL 9003 (Aritco white) as standard, but will be painted in the same colour as the shaft if the shaft is painted in another colour. The inner ceiling is delivered without light. The ceiling must have a lighting that gives minimum 50 lux at the cabin roof. If the lighting is not provided in the shipping, it is the owner's responsibility to mount lighting with correct capacity. When using an inner ceiling for the shaft the minimum top height is 2440 mm.



Shaft panels

Standard is 25 mm thick shaft panels with EPS (polystyrene) core and steel plates. The panels are painted in RAL 9003 (Aritco white) as standard. If the shaft is painted in another colour the shaft panels will be painted in the same colour and the shaft panels will have a rock-wool core. The height of the shaft panel is 575 mm.

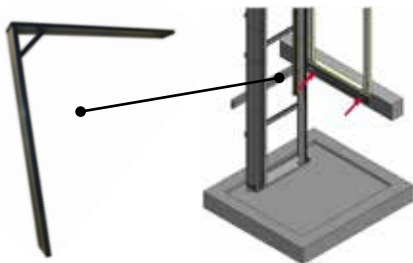




Mast

For Aritco 7000 and Aritco 9000 the lift can be delivered in different ways, depending on the length of the lift.

- For travel heights 2 465 -13 000 mm the mast is always delivered in parts.
- For travel heights 1 720 – 2 464 mm the mast is delivered in parts as standard, but can be delivered in one part if required.
- For travel heights up to 1 720 mm the mast is always delivered in one part.
- For travel heights up to 2 464 mm it is possible to have the mast prepared for splitting.



Shaft support bracket / L-bracket

Installed to stabilize the shaft when it is not mounted against a wall. One shaft support bracket shall be used per floor, except the bottom floor. The shaft support bracket/L-bracket is fixed on the lift on the machine side and in the building on A/C-side (under door). Not possible to fix on B-side.

The shaft support bracket /L-bracket is painted in RAL 9003 (Aritco white) as standard. If the shaft is painted in another color the shaft support bracket is painted in the same color.

Aritco 7000: The shaft support bracket / L-bracket is available for platform sizes 1040, 1280, 1480, 1580 and 1980 mm.

Aritco 9000: The machine side of Aritco 9000 must be installed to a wall and shaft support bracket can't be used for installation.



Electrical cabinet

The standard position of the electrical cabinet is in the shaft, at the upper floor where the landing door is located. If the standard position of the electrical cabinet proves difficult we offer the option to move it to another landing or to place it externally in a locable casing.

For Aritco 7000 with platform size 900 x 1040 mm the electrical cabinet is mounted behind the platform panel and in the top of the shaft.

Size of standard electrical cabinet (placed in shaft): 180 x 880 mm.

Size of external electrical cabinet (placed in an external box): Height 500 mm, depth: 160 mm, width: 400 mm.



External service panel

A service panel is always placed in the electrical cabinet. It is used to run tests etc., and for emergency running the lift. An external service panel is available for mounting outside the lift as an option. In this case a wire connects it with the service panel in the electrical cabinet.

For Aritco 7000 with platform size 900 x 1040 the electrical cabinet and the standard service panel is mounted in the top part of the shaft and can't be reached from outside.

Therefore it is connected to an external service panel which is mounted in a wall mounted box. The external service panel must be activated with a 3-edge key before it can be used.

The faceplate is in standard painted in grey, anodic color Natura which has an Aluminum look.

Size: 95 x 185 mm.

Extra anti-rust protection

In order to protect the lift when exposed to humid environments, e.g. when sea transport or when the packed lift is exposed to humid conditions during transport or at the installation site, the lift is delivered with guides (corrosion class C5).

Can be ordered as an option.

Two way communication is mandatory according to EN81-41. Choose from one of the following options or install your own phone.

Autodialer

Equipment for emergency calls. Integrated on the destination panel. Dials automatically when the alarm button is pressed.

When unanswered after a predefined time, the call is automatically forwarded to the next number.

The autodialer can be equipped with a GSM module. Aritco does not supply SIM card.



DC converter

When more autodialers are connected in series on one phone line the power on the phone line is not enough to drive more than one autodialer. In this case, a DC-converter is needed for each lift. The DC-converter 12-24 V is used as external power supply for the autodialer.

Phone

The telephone works as a standard telephone but is intended for emergency calls. The phone is mounted on the platform panel. Equipped with redial memory, mute button and a lamp indicator for on/off.

Can be equipped with a GSM module. Aritco does not supply SIM card.





Power supply

For Aritco 7000 you have the following options:

3-phase 400V / 5.2 A / 16 A slow

- Standard for all lifts (50 Hz)
- Frequency 50 or 60 Hz
- Frequency converter, with build in soft start and stop (option).

1-phase 230V / 9 A / 16 A slow

- Option when building doesn't support 400V 3-phase
- Frequency converter, with built in soft start and stop
- Frequency 50 or 60 Hz

3-phase 230V / 9 A / 16 A slow

- Option
- Note that this is rarely used except for example in Norway and Saudi Arabia
- Frequency 50 or 60 Hz

For Aritco 9000 the following is valid:

3-phase 400V / 5.2 A / 16 A slow

- Frequency converter with built in soft start and soft stop
- Frequency 50 or 60 Hz

Soft start

It provides a smoother start when pressing a destination button. For Aritco 7000 3-phase lifts, soft start can be ordered as an option. It is not available for 1-phase lifts, as they come with a frequency control as standard which includes both soft start and stop. For 500 kg lifts soft start is included as standard.

Battery Guard

The battery guard ensures that the batteries are not damaged and that there is enough power so that you can run the lift in the case where the power to the lift is cut. It ensures that the lift is turned off (all power consumers are turned off) when the power of the batteries reaches 22 V. This means that even if the power on site is turned off the batteries in the lift will not be discharged and you can still run the lift. The battery guard can be order as an option.



Lubrication

The screw must be oiled at regular intervals.

Manual Lubrication. A brush fixed to the platform oils the screw when using the lift (a tray with lubrication oil in the bottom of the shaft). Standard for Aritco 7000.

Automatic Lubrication. Oils the driving screw at regulated time intervals even if the lift is not in use. The lubrication frequency is adjustable. Standard for Aritco 9000. Option for Aritco 7000. Standard for lifts with a travel height of over 8000 mm. Recommended for lifts that are seldom used or that are not used regularly to travel from ground to top floor.



Battery operated emergency lowering

All Aritco lifts have battery operated emergency lowering as standard. You can lower yourself from inside the lift and get out by yourself when there is a power failure. Possible to run the lift to nearest level from the platform/cabin (possible to go down) - Executed when pressing a platform/cabin button. Can also be run externally from the call button (hold to run) or service box.

Phase sequence relay

Extra protection and to secure that the lift does not run in the wrong direction when the phases are connected incorrectly. Option introduced for 3-phase lifts.

Outdoor execution

Aritco 7000 for outdoor execution is designed for outside use and equally suited to cold northern conditions as well as hot sunny climates. All outdoor lifts are delivered with guides (corrosion class C5) to avoid corrosion. The outdoor execution consists of different options that enable an outdoor installation. Depending on the installation environment different options must be added and the installation conditions are specified below must be followed.

Outdoor execution available for platform size 1100x1480 mm.

Conditions for installation:

Environment temperature max + 40° down to -5°C. If the lift is going to be installed in colder climate than -5°C, an externally insulated and heated shaft must be built around the lift.

Windload up to 10 m/s. Protection against wind loads over 10 m/s is required. In areas where it can be expected to be more wind load than 10 m/s, Aritco recommends a windshield or an external building around the shaft. An option for wind load 25m/s is also available (Eurocode 1991-1-4:2005).

Snow load max 2kN/m². Snow load zone according to EN 1991-1-3. For higher snow loads an external shaft / roof must be installed.

Installation above ground level and with a drained pit. The lift must be installed above ground level and water should be directed away from the lift. The lift pit must be drained and the pit shall also be protected from freezing. The lift is not water tight and water can leak into the lift via landing doors or shaft.

Installation is not recommended in salt or chlorine enhanced environment. For example the lift must not be installed close to see or close to a swimming pool.

Installation only outdoor. The lift must be installed only outdoor, i.e. with all landing doors towards the outside. The lift must not be installed with landing doors that go into the building. Otherwise the lift can be subjected to downdraughts with condensation problems as a consequence.

Included in standard when ordering an outdoor lift:

- Guides (corrosion class C5) to avoid corrosion
- Electrical cabinet cover sealed
- Screw sprayed with oil
- A special oil, aimed for outdoor usage must be used (lower temperature grading)
- To avoid water leakage, all joints on top roof are to be sealed after installation.
- Ventilation fan in top of shaft, with upper panel with fan holes and lower panel with ventilation holes are mandatory for all outdoor lifts.
- Call buttons protected against water, resistant to weather and condensation)
- Fixing elements better protected against rust (Zink Nickel)
- Sealing of doors: A brush stripe for doors that reduces the dirt (and in some extent water) to come into the lift.
- All painted parts have corrosion class C3.

Options to be ordered depending on installation:

- If the lift is installed outside and rain can reach the machine side, a machine side cladding must be used.
- If the lift is not installed in an external shaft an outer roof must be used. Inner ceiling with light (LED or fluorescent lamp) – must be ordered for outdoor lifts when ordering a roof.
- Heater installed in bottom of the shaft, with bottom panel with ventilation holes – option recommended for cold climates.
- Seal of machine side cladding / outdoor roof with a tape/ strip.
- If the lift is installed outdoor and there is no roof over the doors, door canopies must be installed over the doors. – Option recommended for outdoor lifts.

Aritco reserves the right to deny warranty claims if the lift is not installed in the right environment and if necessary equipment is not used.

Limitations for outdoor lifts:

Limitations for wind load up to 10m/s:

- Maximum Travel height: 10m
- Shaft panels on EPS only (Rock wool not available) or glass shaft panels.
- Lift in default color only. Shaft / doors in RAL 9003 (Aritco white) platform panels on RAL 7042 (grey).
- Possible to fix lift with L-bracket (specially developed for outdoor usage).

Additional limitations for wind load up to 25m/s:

- Shaft only with shaft panels in EPS. Glass shaft panels not available. Shaft is glued.
- Lift must be fixed against a wall. Fixing with L-brackets are not possible.

Please note that the following are not possible for outdoor lifts:

- Large glass doors with width 1000 mm
- Large glass door with height 1800 mm
- Half height doors – all sizes
- Displacement of door on B-side



Roof

Roof for outdoor execution. If the lift is not installed in an external shaft an outer roof must be used. One roof corner is left open for water outlet. The roof is made of galvanized steel and painted in RAL 9003 (Aritco white) as standard. An inner ceiling with light (LED or fluorescent lamp) must be ordered for outdoor lifts when ordering a roof.

Door canopy

A sloping roof placed above the landing doors to protect them from rain and snow etc. The door canopy is made of galvanized steel and painted in RAL 9003 (Aritco white) as standard.

Width: 1160 mm

Slope angle: 23°



Ventilation fans

Ventilation fans mounted in top of the shaft. Two axial fans 230 V, 12 W. The fans are connected to an external power socket, 230 V. The fans are mandatory for outdoor lifts.



Heater

A heater placed in the bottom of the shaft is recommended for cold climates. Can be ordered as an option. The heater of 2000 W must be connected to an external power socket. Note that for colder climates than -5° the lift must be installed in an external heated shaft.

Aritco 7000 Flexi

Aritco 7000 Flexi is a version of the Aritco 7000 lift that is intended for both persons and goods. A risk assessment has been conducted to assess the additional risk that will come when using the platform for both persons as well as for goods (Lighter goods transport max 500 kg). Measures to reduce these risks have been taken and they are now implemented for Aritco 7000 Flexi. Aritco 7000 Flexi has its own certificate, which is available on the partner desktop. Aritco 7000 Flexi is available for all platform sizes.

The following is included when ordering an Aritco 7000 Flexi:

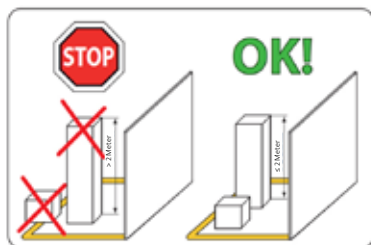
- Platform with safety edge painted in yellow (RAL 1018).
- Platform with security list mounted behind the platform faceplate painted in yellow (RAL 1018). Valid when having a half height wall.
- Loading information label - warning sign placed on the platform panel.
- User manual is updated with the Aritco 7000 Flexi option and it informs the user of where to place the goods and what size of goods that can be transported with the lift.
- Certificate for persons and goods.

Loading information label

A loading information label is placed on the platform with pictograms warning for the following:

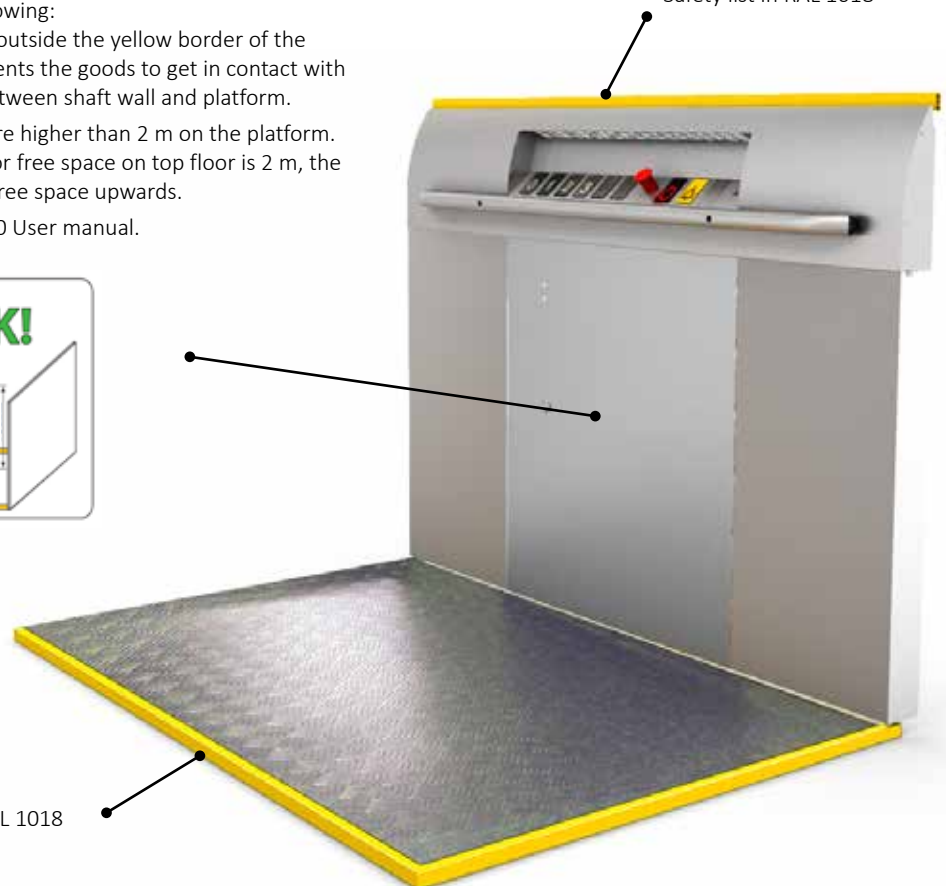
- Do not load any goods on or outside the yellow border of the platform (safety edges). Prevents the goods to get in contact with the lift walls and get stuck between shaft wall and platform.
- Do not load any goods that are higher than 2 m on the platform. The minimum requirement for free space on top floor is 2 m, the goods will then always have free space upwards.

More information in Aritco 7000 User manual.



Safety edge in RAL 1018

Safety list in RAL 1018



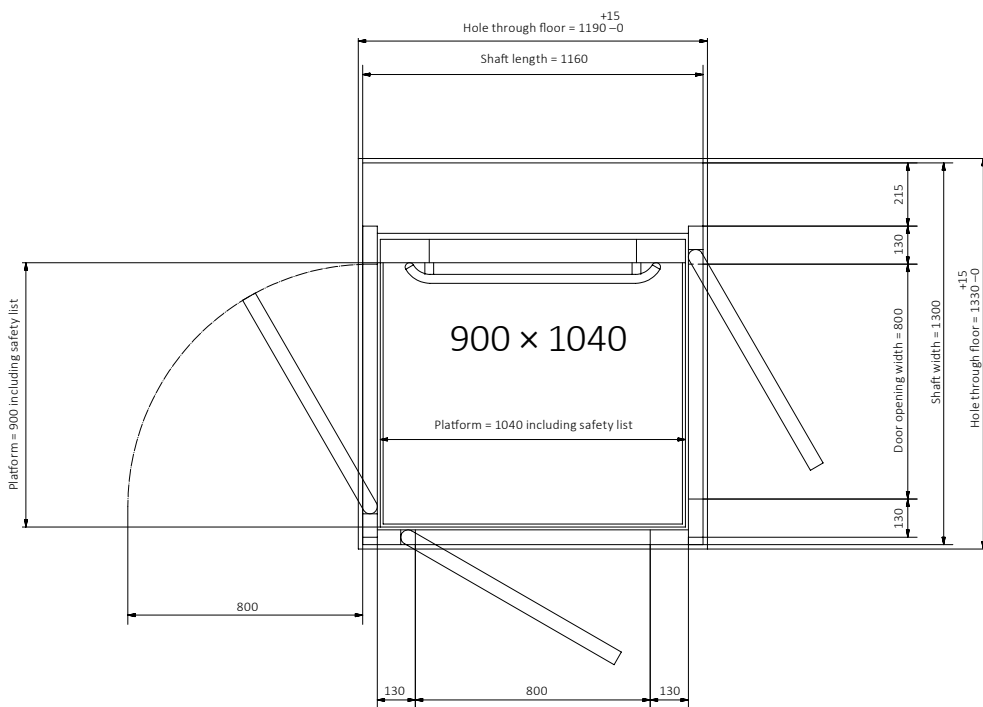
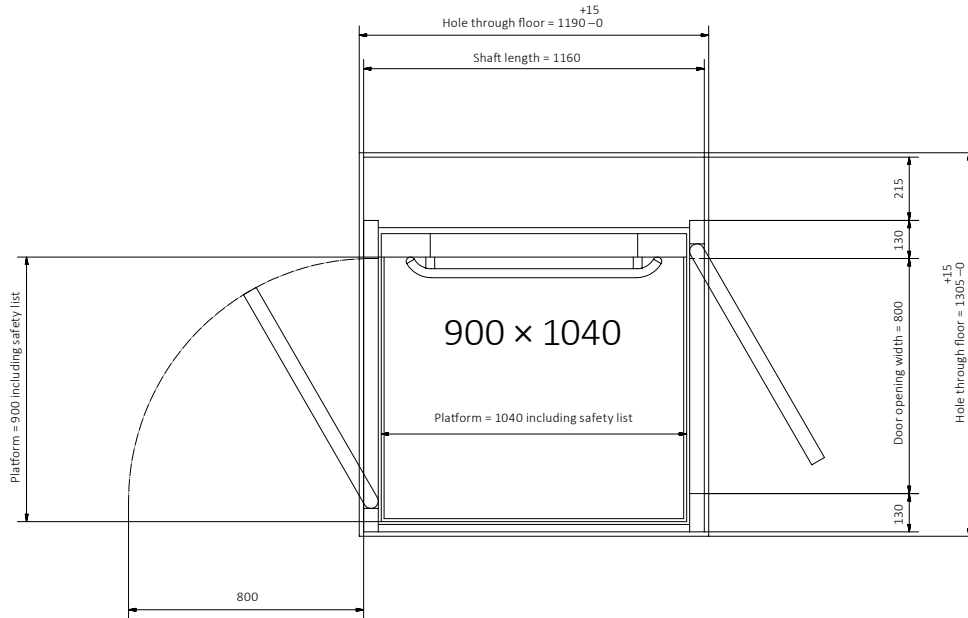


Steel kerb

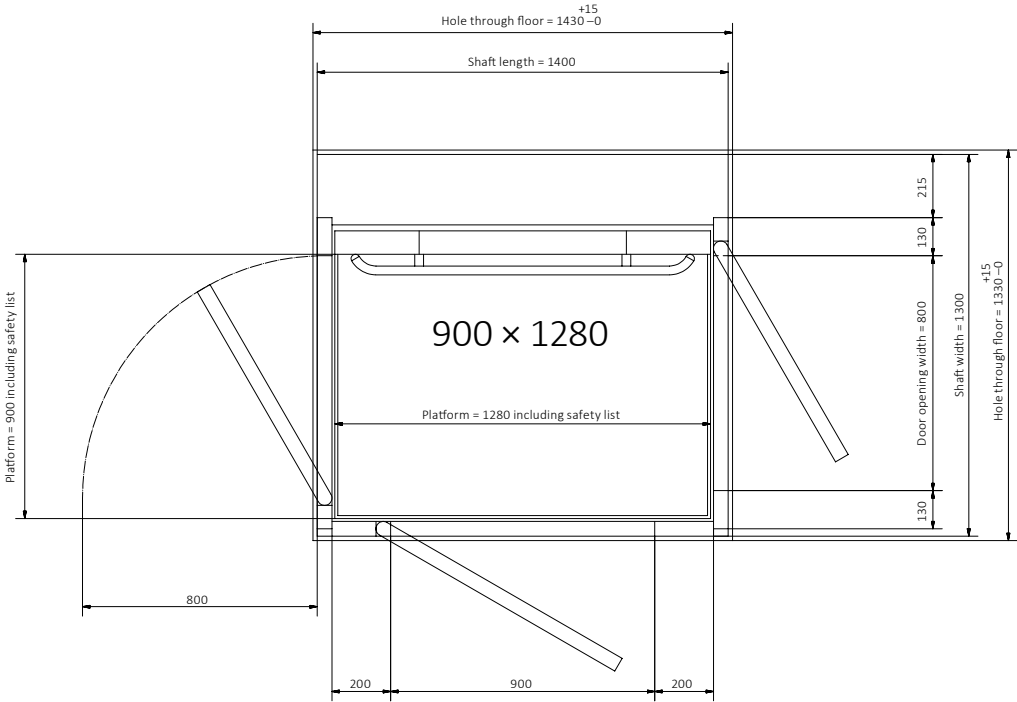
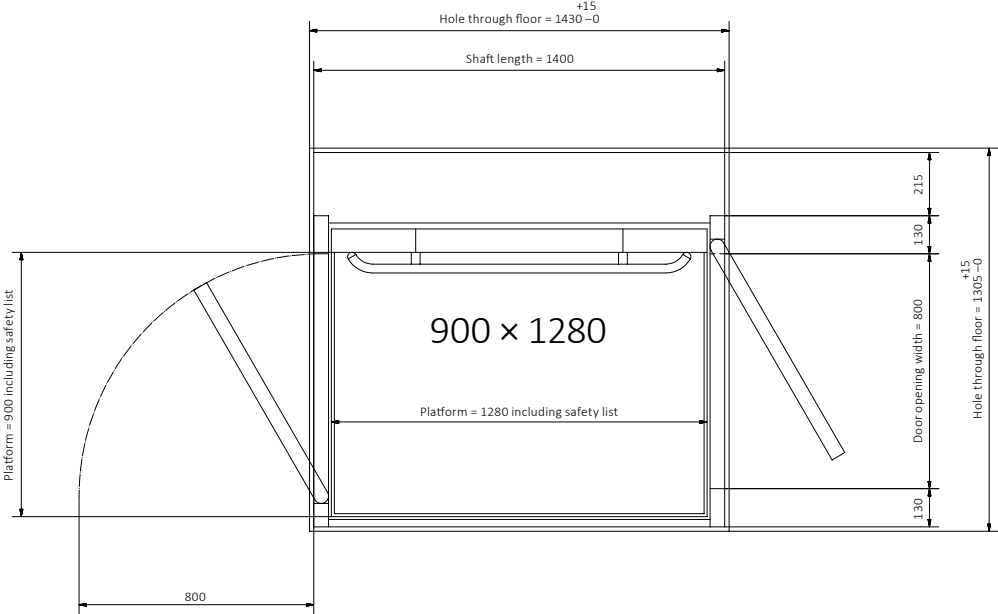
For extra protection of the platform and the shaft walls a steel kerb can be ordered as an option for Aritco 7000 Flexi. The steel kerb is a 90 mm high steel frame placed on all sides on the platform, except for door sides. It is recommended when using the lift also for goods. The safety edge will be specially made to fit the steel kerb.



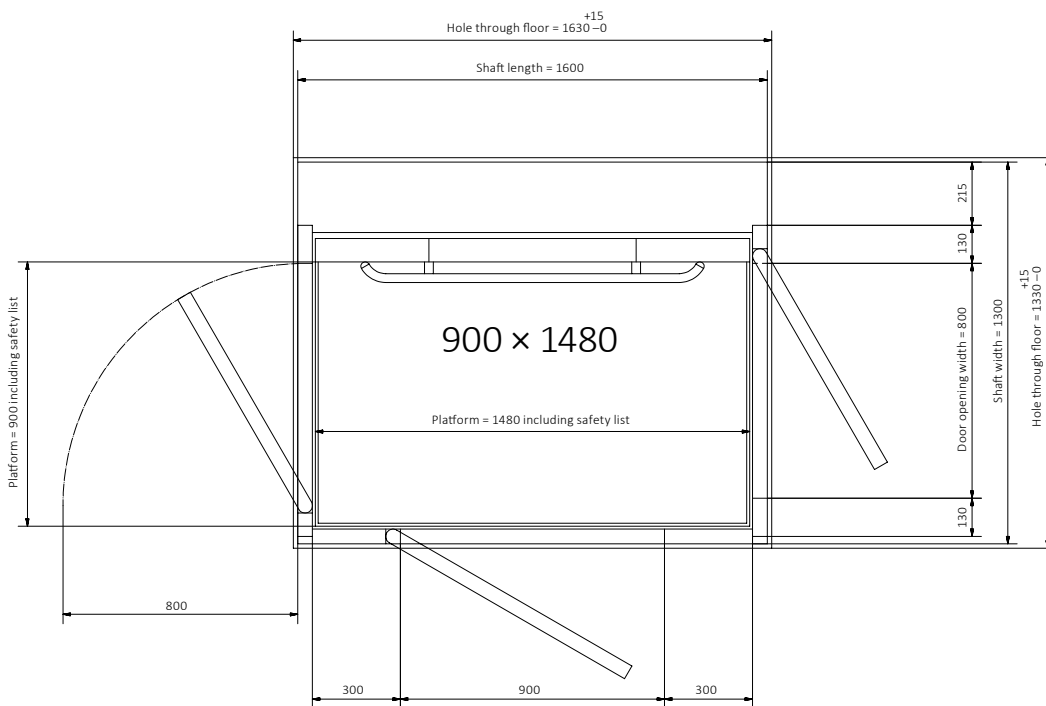
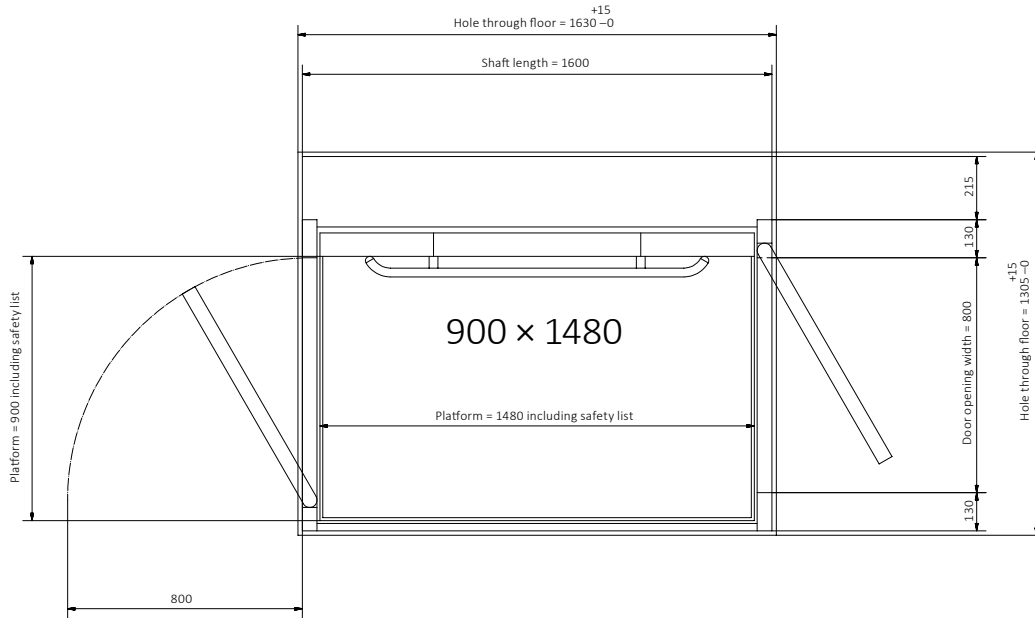
Platform 900 × 1040



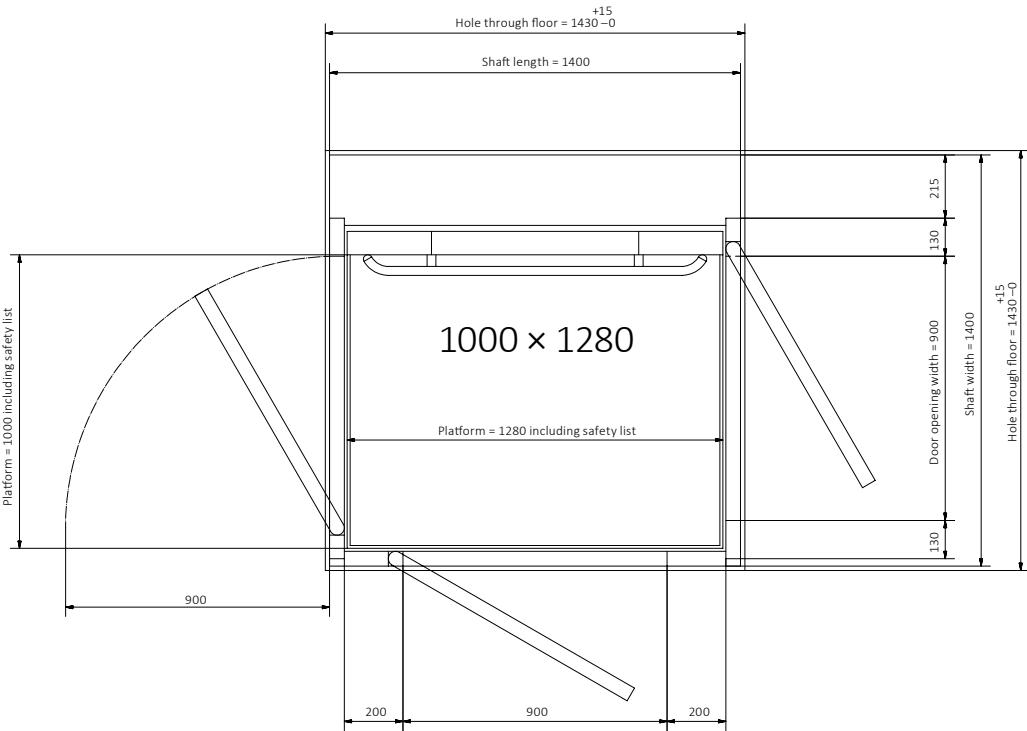
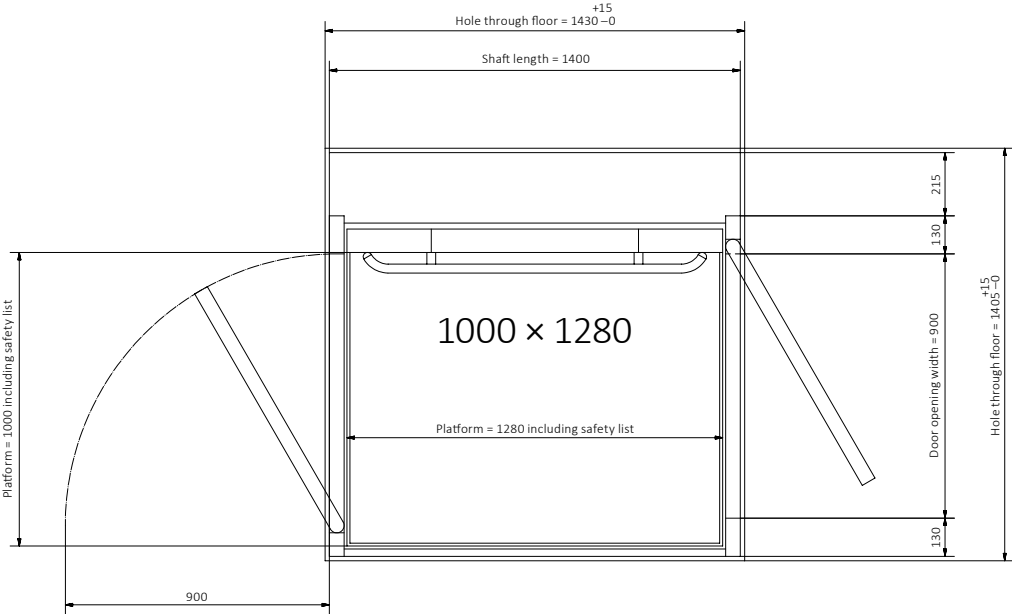
Platform 900 x 1280



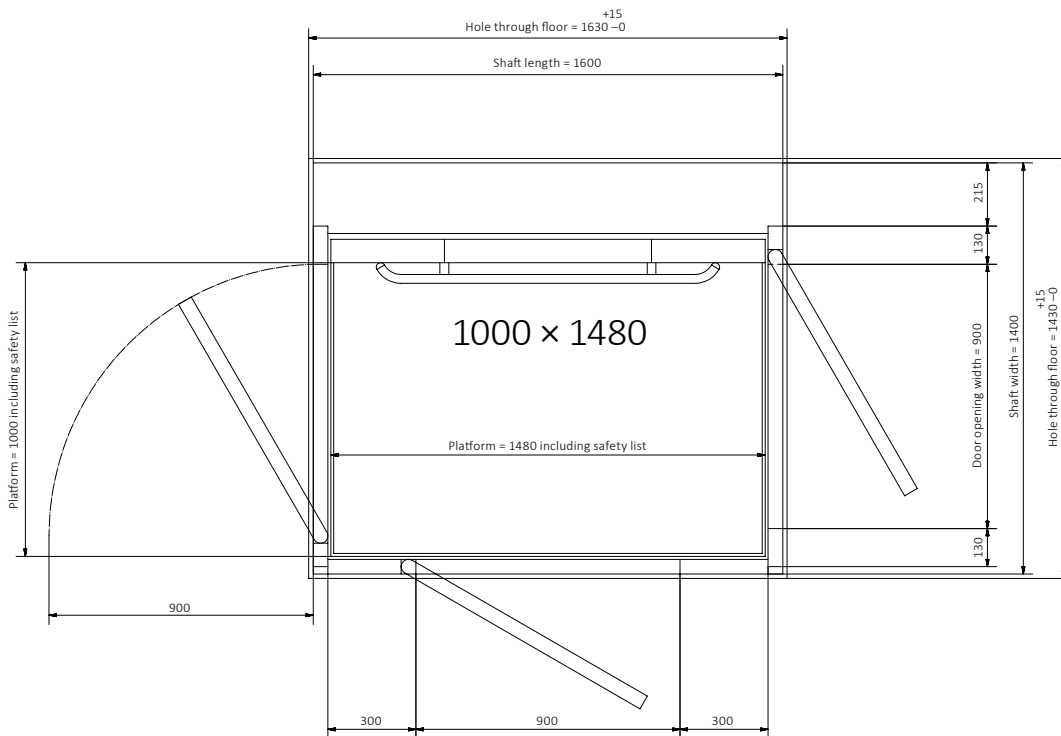
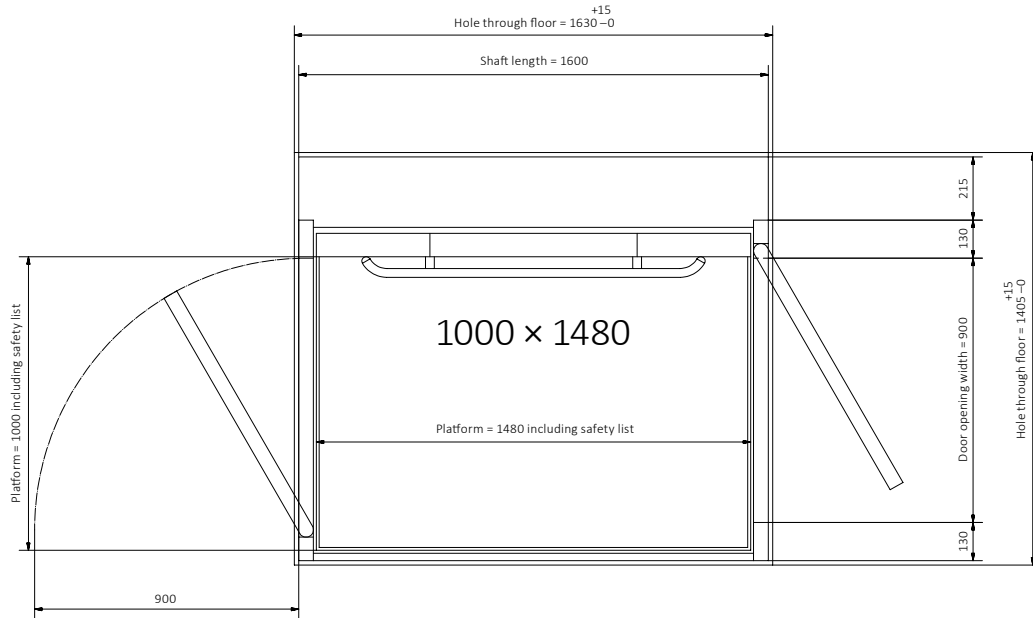
Platform 900 × 1480



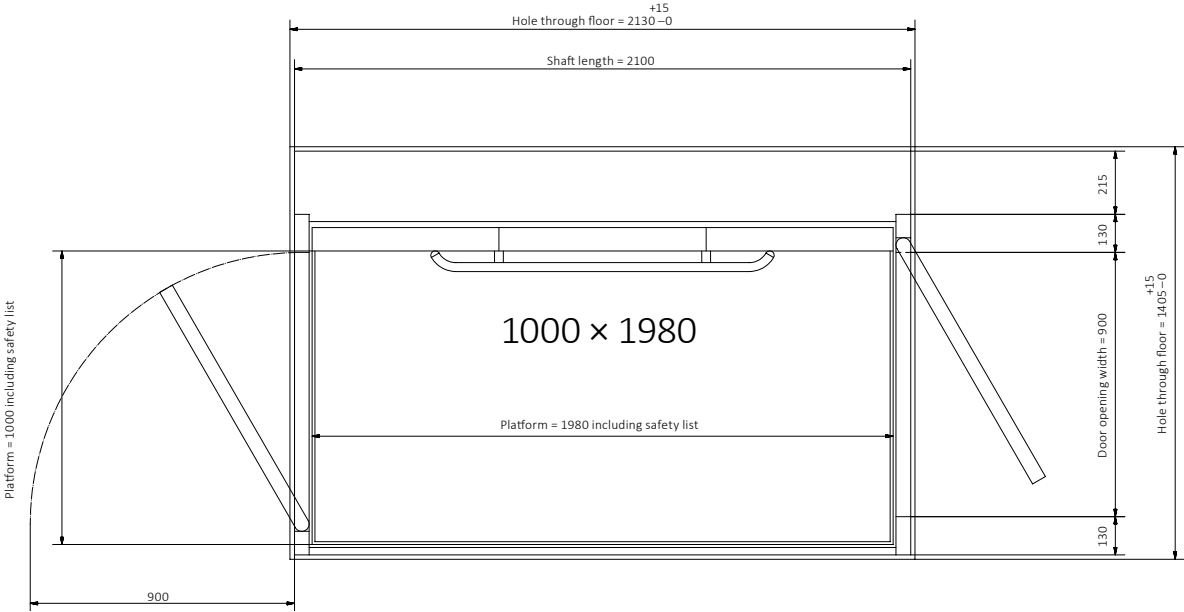
Platform 1000 × 1280



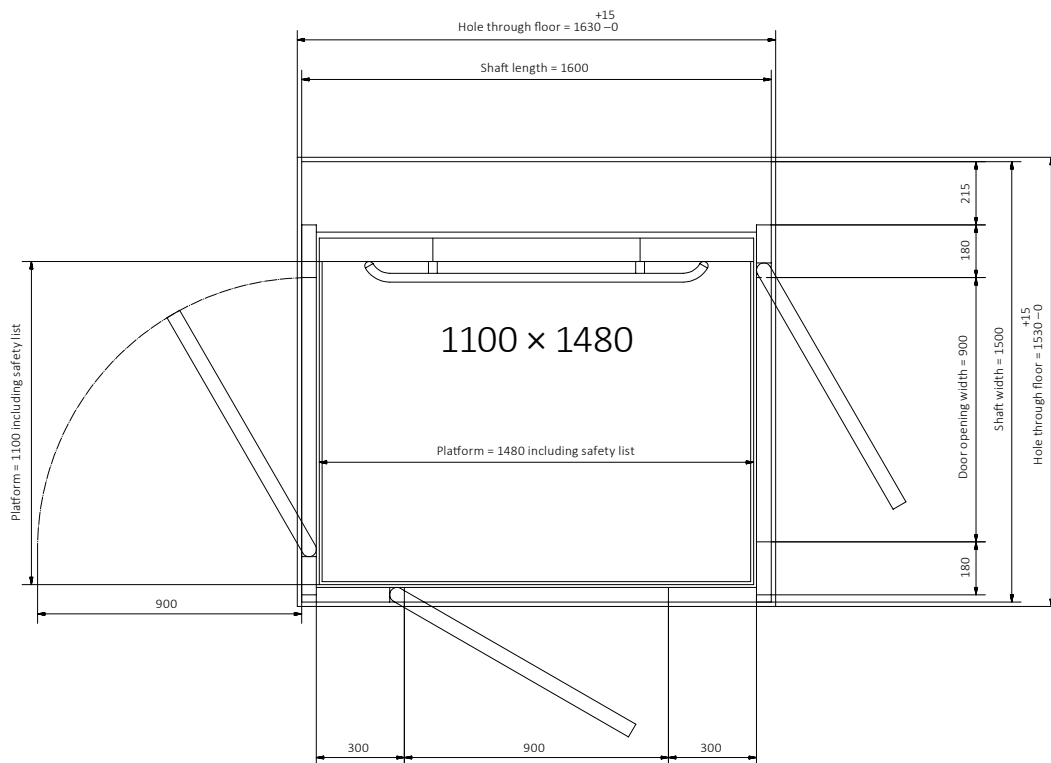
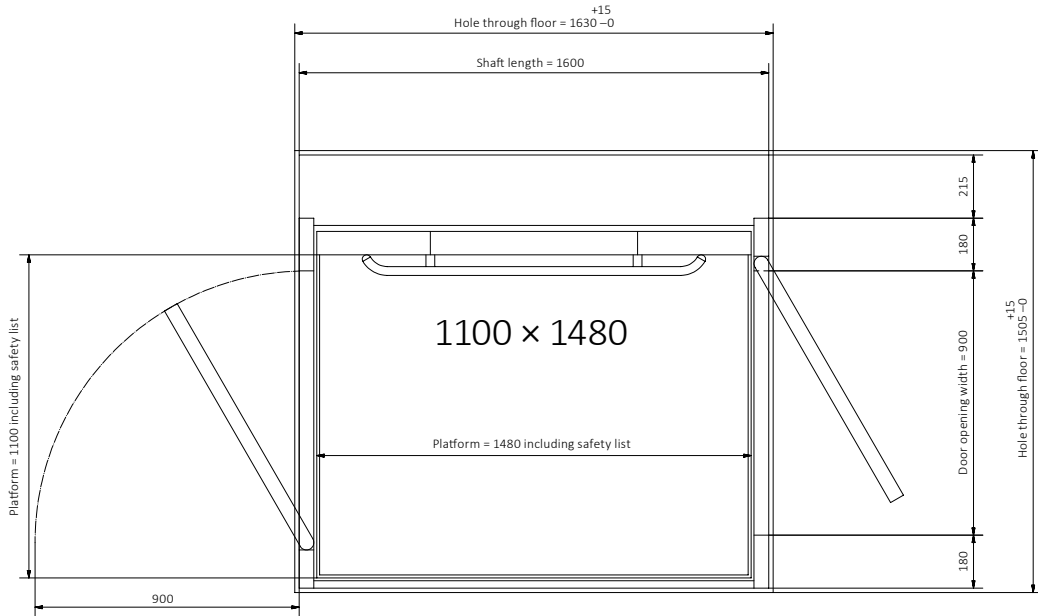
Platform 1000 × 1480



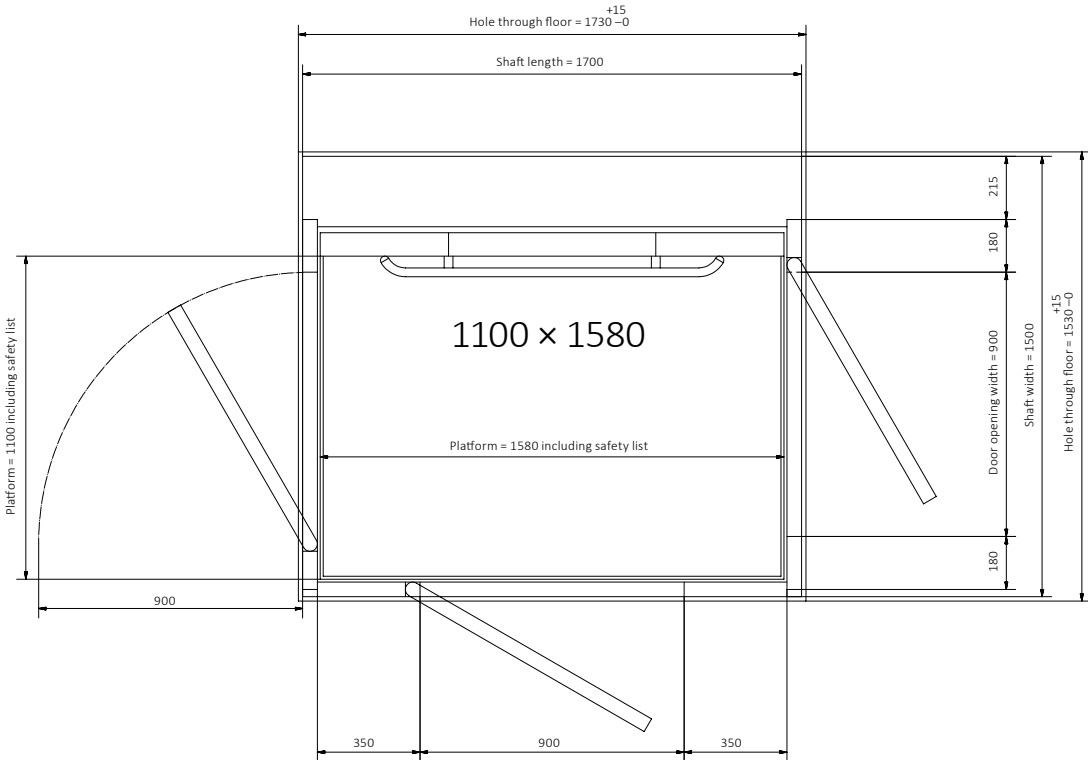
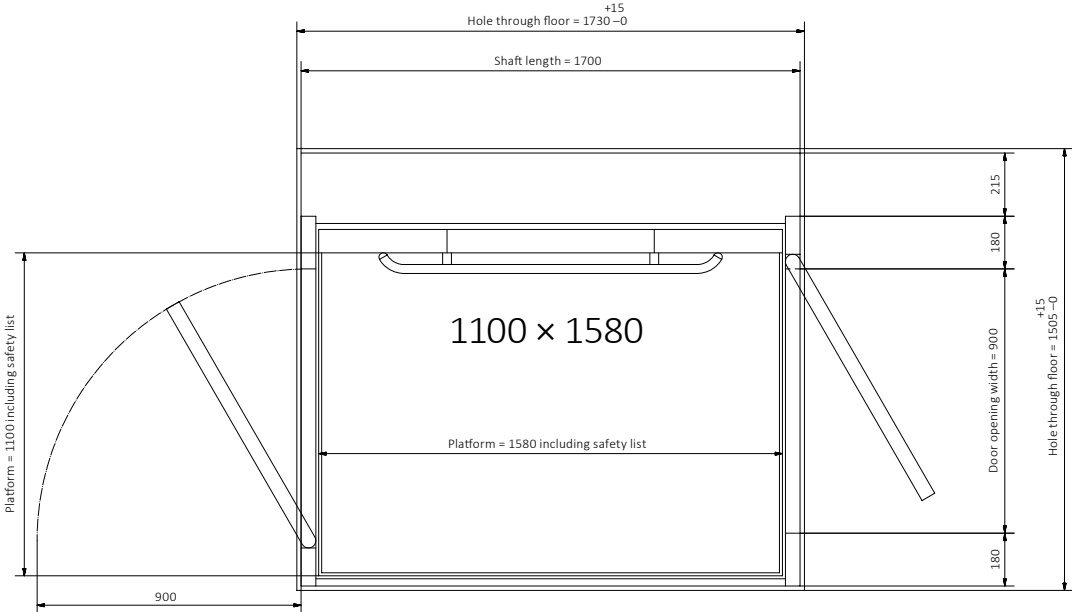
Platform 1000 x 1980



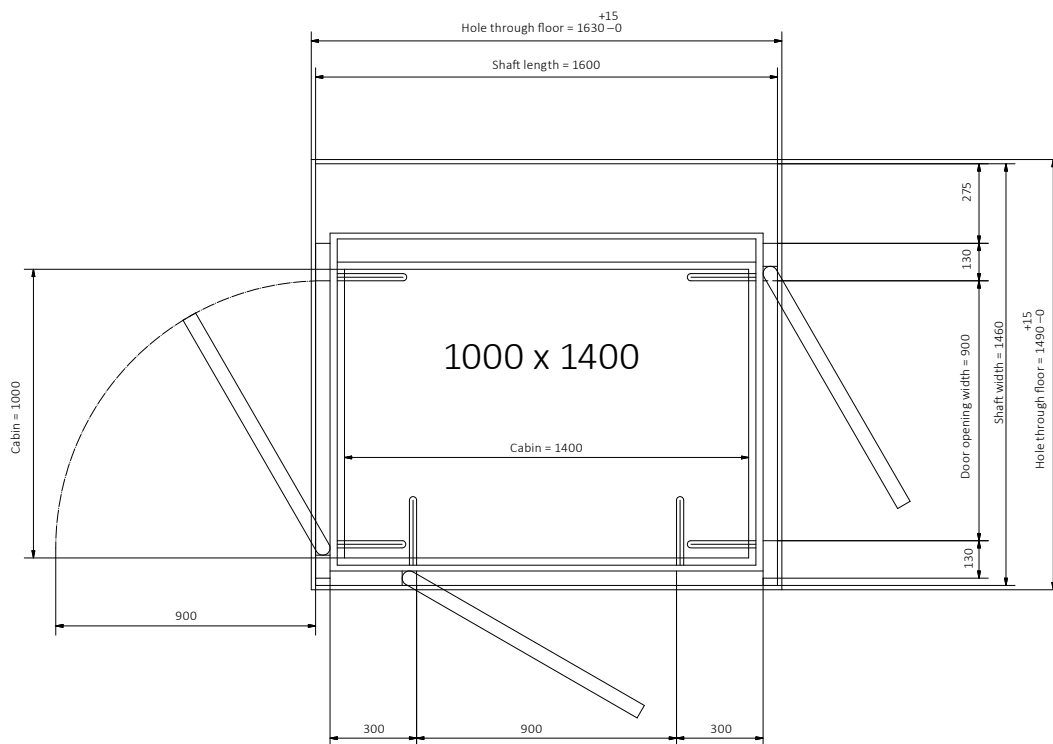
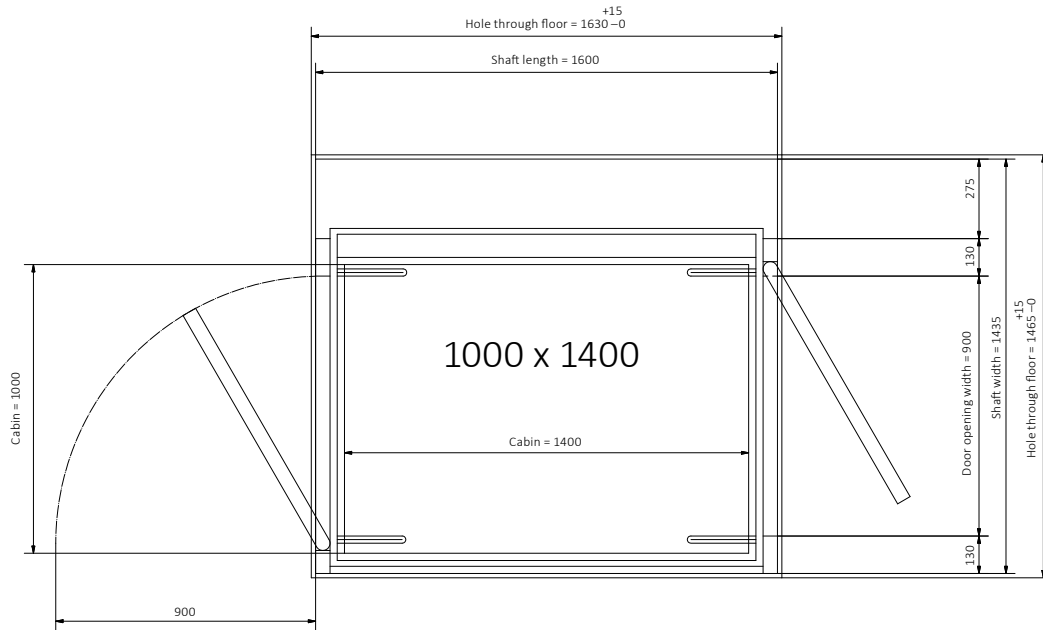
Platform 1100 × 1480



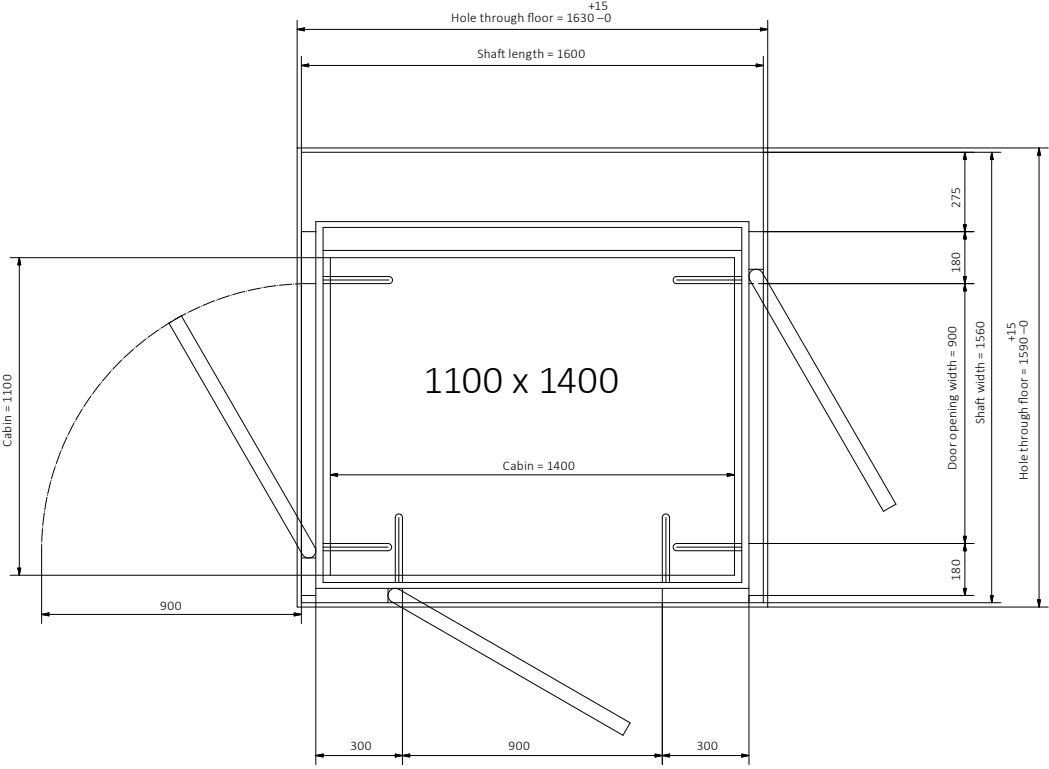
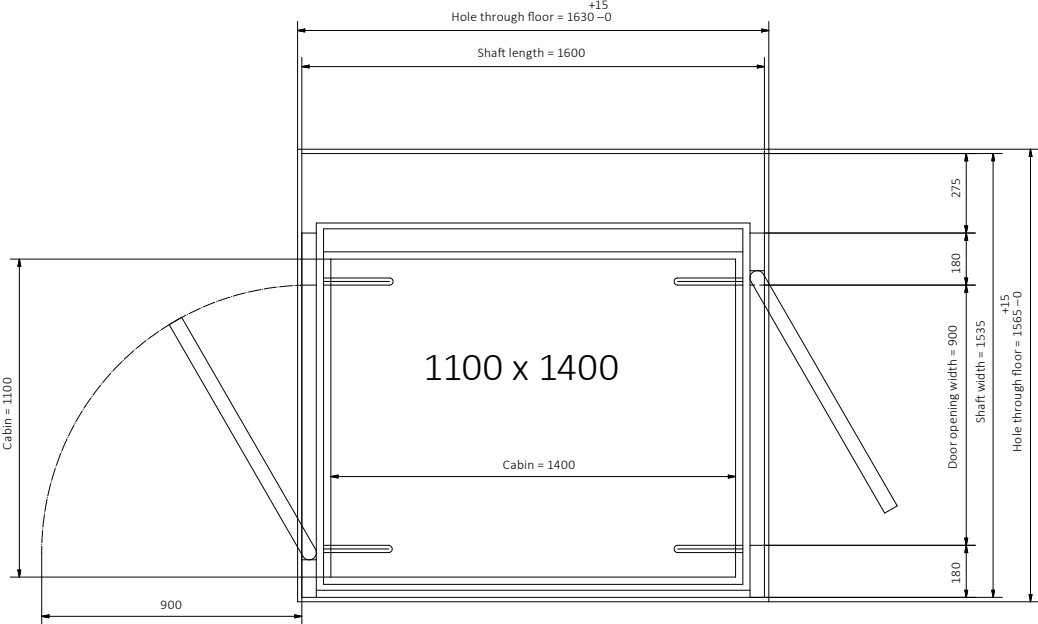
Platform 1100 x 1580



Cabin 1000 x 1400



Cabin 1100 x 1400





1. Can I have the lift painted in any colour?

Both Aritco 7000 and Aritco 9000 can be painted in any RAL colour or in Metallic colour Silver. Following choices are available:

Whole lift painted in standard colour RAL 9003 (Aritco white):

- Whole lift painted in RAL 9003 (For Aritco 7000 the platform panels are painted in RAL 7042 (Grey).

Whole lift painted in other colour:

- Whole lift painted in optional colour (Incl. shaft, doors and platform panels for Aritco 7000.)

Lift partially painted in different colours:

- Shaft in one colour (Incl. shaft panels, corner profiles, Architraves, etc.)
- All door blades in one colour.
- All door frames in one colour (Also includes the door faceplate.)
- Platform panels in one colour - valid for Aritco 7000 only.
- One of the above choices or a combination of them.



Note that all doors must be painted in the same way. It is not possible to paint them differently.

Definition of Aritco white is RAL 9003 structure with gloss 20 (i.e. it is a matte colour). When ordering another RAL colour on the lift it will be with structure and with gloss 12.

Any RAL colour means in this case any RAL color from the 213 colour RAL chart K7 classic.

Common colours:

RAL 1015	RAL 7012	RAL 7047	RAL 9006	RAL 9016
RAL 3020	RAL 7016	RAL 8017	RAL 9007	
RAL 5002	RAL 7045	RAL 9005	RAL 9010	

Shorter lead time and lower price

Other colours:

Rest of the colours from RAL chart K7 classic. Longer lead time and higher price.

Note that only Metallic colour silver, gloss 100+/-5% is available for sale.

2. To which standards do the lifts comply?:

Aritco 7000 and Aritco 9000 comply with the Machine Directive 2006/42/EC, Arico 7000 by following the harmonized standard EN81-41. The lifts are also compliant with the Electromagnetic compatibility (EMC) – 2004 and Low voltage Directive 2006/95/EC. The lifts are type approved, CE marked. EI60 – Fire & smoke proof door complies with the lift directive 95/16/EC and EN 81-58. A certificate for respective lift is available on partner desktop.

3. What kind of wheelchair can be fitted in the lift?

Both Aritco 7000 and Aritco 9000 follows the requirements stated for lifts regarding the possibility to fit a wheelchair with or without attendant. Depending on the size of the platform / cabin you can fit either a wheelchair or a wheelchair with an attendant:

Type A and B wheelchairs are defined in :
 EN 12183 Manual wheelchairs – requirements and test methods
 EN 12184 Electrically powered wheelchairs, scooters and their charges – Requirements and test methods

Dimensions of wheelchair	Class A	Class B
Total length	1200	1400
Total width	700	700

EN81-41 and EN81-70 defines the sizes of the platform / cabin and what type of wheelchair it is intended for.

Aritco 7000:

Platform size	
900x1040	-
900x1280	Lone user, or type A wheelchair
900x1480	Type A and B wheelchair with attendant
1000x1280	Lone user, or type A wheelchair
1000x1480	Type A and B wheelchair with attendant
1000x1980	Type A and B wheelchair with attendant
1100x1480	Type A and B wheelchair with attendant and adjacent entries
1100x1580	Type A and B wheelchair with attendant and adjacent entries

Aritco 9000:

Cabin size	
1000x1400	Type A and B wheelchair with attendant
1100x1400	Type A and B wheelchair with attendant and adjacent entries

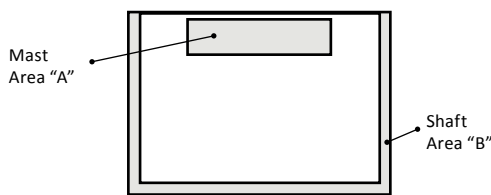
4. What are the reaction forces on the building and force on fixings to support frame to wall?

Details regarding the forces are available in the installation manual for Aritco 7000 and Aritco 9000.

Aritco 7000

Reaction forces from the lift to the building:

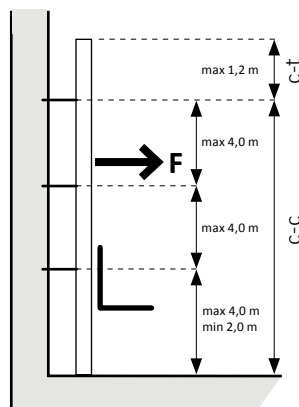
- Maximum force as a function of the lift’s travel. The force is distributed to the floor through the mast bottom with the area “A” and to the shaft bottom with the area “B”.



Travel height (m)	Area “A” F(kN)	Area “B” Shaft panels F(kN)	Area “B” Glass Shaft F(kN)
1	7,8	2,55	3,30
2	8,5	3,40	4,40
3	9,2	4,25	5,50
4	9,9	5,10	6,60
5	10,7	5,95	7,70
6	11,5	6,80	8,80
7	12,0	7,65	9,90
8	12,8	8,50	11,00
9	13,4	9,35	12,10
10	14,2	10,20	13,20
11	14,9	11,05	14,30
12	15,6	11,90	15,40

Force on fixing to support frame (mast) to wall:

- c - c = distance (height) from the floor to the highest fixing into the wall.
- The maximum distance between two fixings or lower floor and the lowest fixing is 4,0m.
- The minimum distance between lower floor and the highest fixing is 2,0 m.
- c - t = distance from the top of the mast to the highest fixing into the wall.
- The maximum distance between the top of the mast and highest fixing is 1,2 m

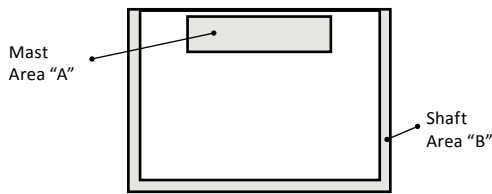


c - c (m)	F(kN) 410 kg load	F(kN) 500 kg load
2	1.5	2.2
3	1.0	1.5
4	0.8	1.1
5	0.6	0.9
6	0.5	0.7
7	0.4	0.6
8	0.5	0.5
9	0.3	0.5
10	0.3	0.4

Aritco 9000

Reaction forces from the lift to the building:

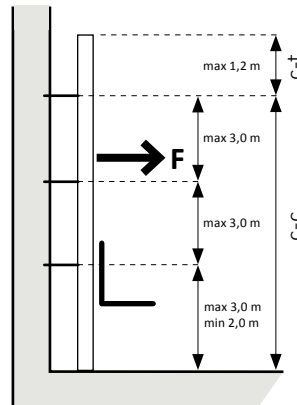
- Maximum force as a function of the lift's travel. The force is distributed to the floor through the mast bottom with the area "A" and to the shaft bottom with the area "B".



Travel height (m)	Area "A" F(kN)	Area "B" Shaft panels F(kN)	Area "B" Glass Shaft F(kN)
1	10,6	2,55	3,30
2	11,3	3,40	4,40
3	12,0	4,25	5,50
4	12,7	5,10	6,60
5	13,5	5,95	7,70
6	14,3	6,80	8,80
7	14,8	7,65	9,90
8	15,6	8,50	11,00
9	16,2	9,35	12,10
10	17,0	10,20	13,20
11	17,7	11,05	14,30
12	18,4	11,90	15,40
13	19,1	12,75	16,50

Force on fixing to support frame (mast) to wall:

- c - c = distance (height) from the floor to the highest fixing into the wall.
- The maximum distance between two fixings or lower floor and the lowest fixing is 3,0m.
- The minimum distance between lower floor and the highest fixing is 2,0 m.
- c - t = distance from the top of the mast to the highest fixing into the wall.
- The maximum distance between the top of the mast and highest fixing is 1,2 m



c - c (m)	F(kN) 400 kg load
2	1.5
3	1.0
4	0.8
5	0.6
6	0.5
7	0.4
8	0.4
9	0.3
10	0.3

You can always get out of the lift by yourself

- If there is a power failure, you can always get out of the lift by yourself with battery operated emergency lowering. Use the platform buttons and the lift will take you to the closest lower floor and you can open the door and get out by yourself.

The lift can't fall down

- With the self locking concept, i.e the friction between screw and nut will prevent the lift from falling down. No additional brake system is needed.

Minimum builders work and small footprint

- The lift can be installed without a pit, with a ramp (or with a 50 mm pit for Aritco 7000 and 75 mm pit for Aritco 9000, without ramp).
- All parts are included in the shaft - no extra machine room or head room needed.

No hydraulics, which mean no leakage or smell

- No additional space needed for hydraulic unit.



Easy installation

- Means that the lift is both easy and fast to install. A normal installation only takes two days .

Low operation and maintenance cost.

- Lowest on the market.

Robust shaft

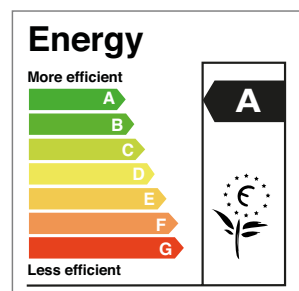
- 25 mm shaft panels. Robust and resistant to damage.
- Good noise and acoustical isolation.

Environmental Product Declaration

- We are the first lift manufacturer with an Environmental Product Declaration
- More than 95% of the parts are recyclable.

Low energy consumption

- Minimum stand-by power consumption 15 W – not more than a computer or a TV.
- Energy class A as per VDI 4707.



PRODUCT RANGE:

The purpose of this product catalogue is to show what Aritco can offer in terms of products, options and possible combinations. We have no possibility to deliver options that are not in the product catalogue.

Some highlights:

LEAD-TIME

Normal lead time for a standard Aritco 7000 is less than 3 weeks. For a standard Aritco 9000 the normal lead time is less than 6 weeks. During July and August, the lead-time can be slightly higher. Some options have a longer lead time – which is clearly communicated in the ordering system AOS and the price list. Note that it is always the order confirmation that states the final delivery time.

95% DELIVERY ACCURACY OF PRODUCTS

During more than 4 years, we have had a delivery accuracy of more than 95%, i.e. we have delivered within the agreed delivery week.

DELIVERY ACCURACY OF SPARE PARTS

If the spare part order is received before 2.00 p.m. the aim is to deliver the same day. Again – for more than 4 years we have had an accuracy of more than 95%.

ARITCO PARTNER DESKTOP

Our web site www.aritco.com is the centre for all our information and communication. Make sure you have a log-in to the Partner Desktop. If you do not have one, just contact your sales representative. On the Partner Desktop you will find, among others, this product catalogue, pricelists, technical documentation, picture gallery, news etc – always up to date.

TRANSPORT, PACKAGING AND STORAGE

You have two options when it comes to shipping carrier;

- By Aritco, due to agreement – (we book the shipping)
- Not by Aritco – (you take care of the shipping yourself)

Depending on how you are going to transport your lift, the lift can be packed in different ways.

Packing for shipping method:

- By trailer (worldwide)
- By boat in container without crate FCL¹⁾
- By boat and container with crate LCL¹⁾
- By air-freight in crate

¹⁾FCL means Full Container Load and LCL means Less Container Load.

Transport of several lifts at the same time:

- When you already know from the time that you order the lifts that you like to transport several lifts together, you must request the lifts to be produced in the same production week. Choose the production week for the lift with the longest lead time.
- If you don't know at the time of ordering the lift that you like to transport several lifts at the same time, you need to let us know latest 10 days before planned production week that you like to transport several lifts together. We will then look on the feasibility of doing this, and it is of course easier to make changes the sooner we get this request.

We have no room to store finished lifts. Thus when placing your order you must be sure of the delivery date so that you can ship the lift as soon as it leaves our production line. After that they will be shipped to you. Storage cost according to the price list will be added.

ORDER AND CANCELLATION

It is only possible to order a complete lift in the AOS. If additional parts are needed they can be ordered as spare parts (such as shaft panels, keys etc.).

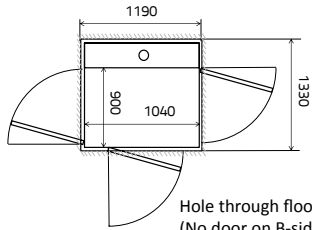
Orders with more than 10 days left until the start of promised production week:

These orders can be changed. The procedure is that you cancel the order and then place a new one. The downside is that you get a new order number and we cannot guarantee that you get the same slot. Since the material has already been ordered there will be a cancellation fee depending on the material involved.

Orders with less than 10 days left until the start of the promised production week:

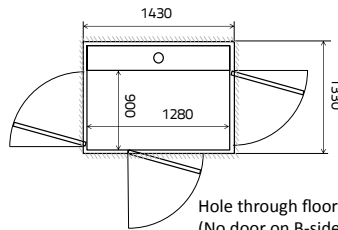
For these orders, it is unfortunately too late to make changes. Too many processes are by then already initiated, and we have no time to fill this slot with another lift. If your customer wants to change the travel height or to change a door hinge, you should contact our After Sales Dept who may be able to help you.

900 x 1040



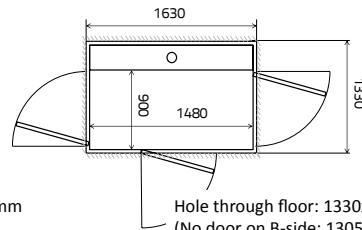
Hole through floor: 1330x1190 mm
 (No door on B-side: 1305x1190)
 Platform: 900x1040 mm
 Load: 250 kg
 Wheelchair: -

900 x 1280



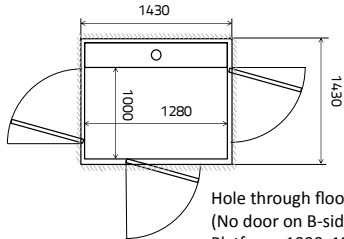
Hole through floor: 1330x1430 mm
 (No door on B-side: 1305x1430)
 Platform: 900x1280 mm
 Load: 410 kg
 Wheelchair: Lone user or type A

900 x 1480



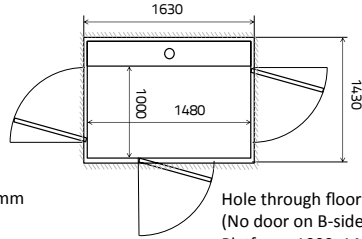
Hole through floor: 1330x1630 mm
 (No door on B-side: 1305x1630)
 Platform: 900x1480 mm
 Load: 410, 500 kg
 Wheelchair: A or B with attendant

1000 x 1280



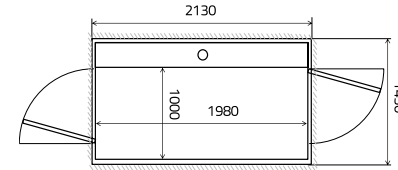
Hole through floor: 1430x1430 mm
 (No door on B-side: 1405x1430)
 Platform: 1000x1280 mm
 Load: 410 kg
 Wheelchair: Lone user or type A

1000 x 1480



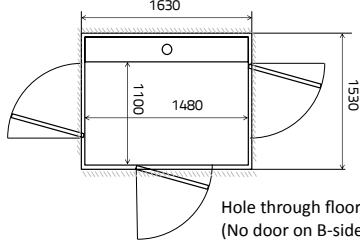
Hole through floor: 1430x1630 mm
 (No door on B-side: 1405x1630)
 Platform: 1000x1480 mm
 Load: 410, 500 kg
 Wheelchair: A or B with attendant

1000 x 1980



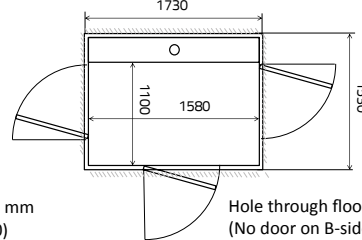
Hole through floor: 1405x2130 mm
 Platform: 1000x1980 mm
 Load: 500 kg
 Wheelchair: A or B with attendant

1100 x 1480



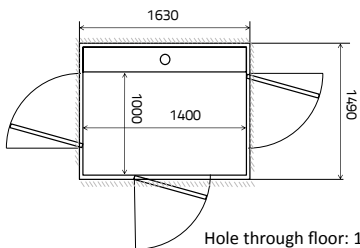
Hole through floor: 1530x1630 mm
 (No door on B-side: 1505x1630)
 Platform: 1100x1480 mm
 Load: 410, 500 kg
 Wheelchair: A or B with attendant, adjacent entry.

1100 x 1580



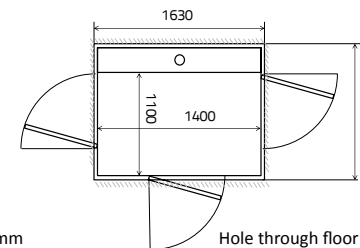
Hole through floor: 1530x1730 mm
 (No door on B-side: 1505x1730)
 Platform: 1100x1580 mm
 Load: 500 kg
 Wheelchair: A or B with attendant, adjacent entry.

1000 x 1400



Hole through floor: 1490x1630 mm
 (No door on B-side: 1465x1630 mm)
 Cabin size: 1000x1400 mm
 Load: 400 kg
 Wheelchair: A or B with attendant

1100 x 1400



Hole through floor : 1590x1630 mm
 (No door on B-side: 1565x1630 mm)
 Cabin size: 1100x1400 mm
 Load: 400 kg
 Wheelchair: A or B with attendant, adjacent entry.



Aritco is a world-leading manufacturer of platform lifts and home lifts. It has around 90 employees and sales of approximately SEK 300 million. Aritco produces two types of lifts; home lifts for the private residential market and platform lifts for the public accessibility market. Read more at www.aritco.com, www.aritcohomelifts.com or www.aritcoplatformlifts.com

Certified partner:

